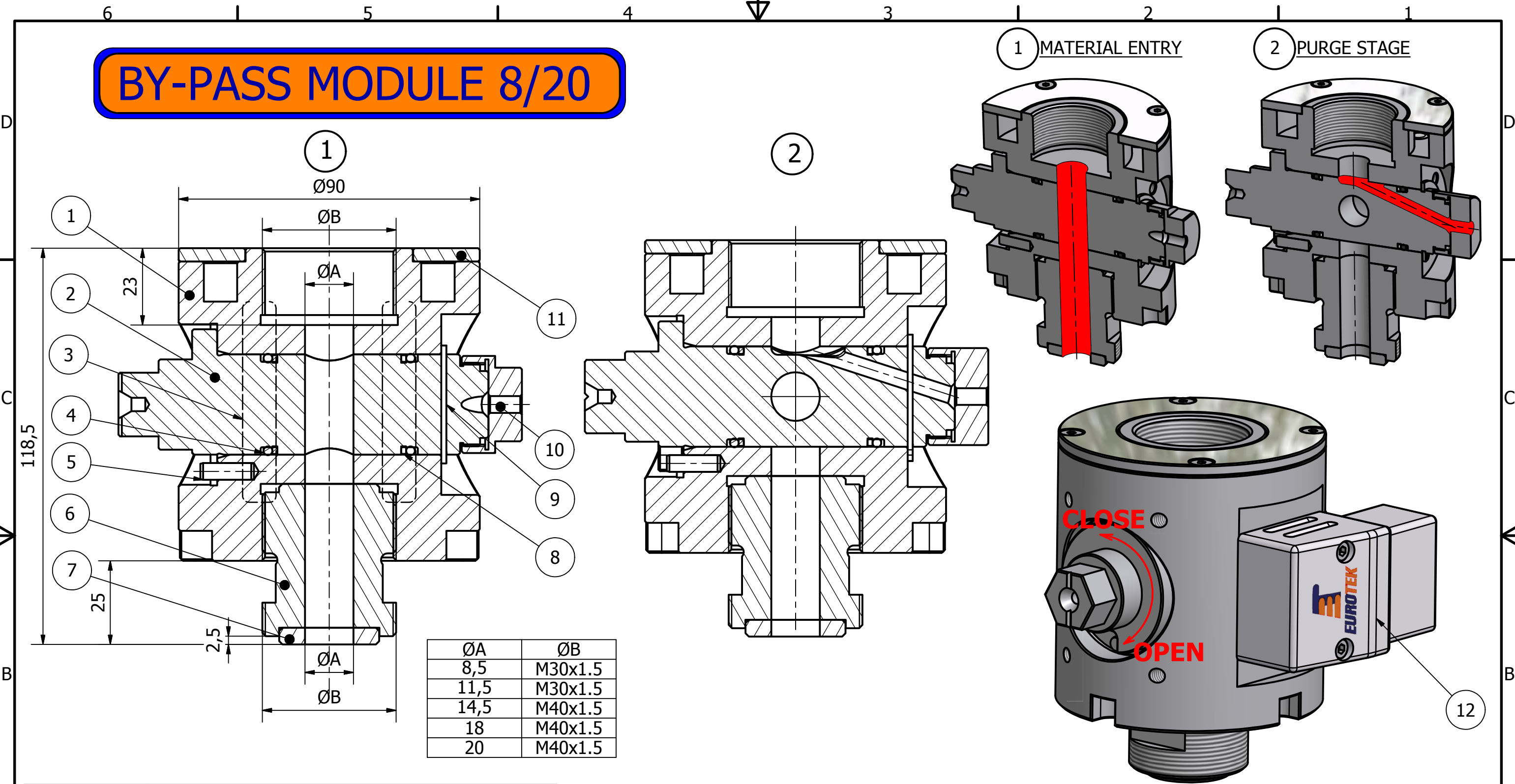
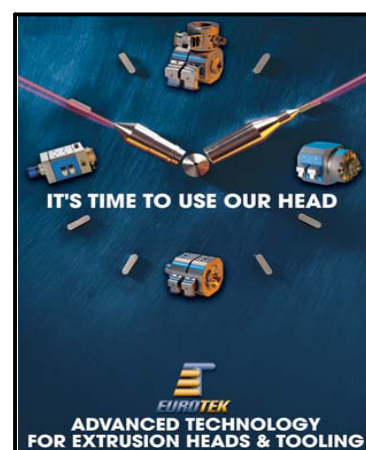


# BY-PASS MODULE 8/20



ITEM	DESCRIPTION
1	BY PASS BODY
2	BY-PASS
3	H. CARTRIDGES (TOTAL POWER 1000W)
4	O-RING
5	PIN
6	FLANGE
7	WASHER
8	HOLDER RING
9	SNAP RING
10	PURGE VALVE
11	COVER CABLE HEAD
12	CONNECTOR



**BY-PASS MODULE 8/20**

EUROTEK S.r.l. C.da Villa Andreoli,215/A  
 66034 LANCIANO (Ch)- Italy  
 Phone:(+39) 0872 72581 FAX:(+39) 0872711978  
[www.eurotek-italy.it](http://www.eurotek-italy.it)  
 e-mail:info@eurotek-italy.it

