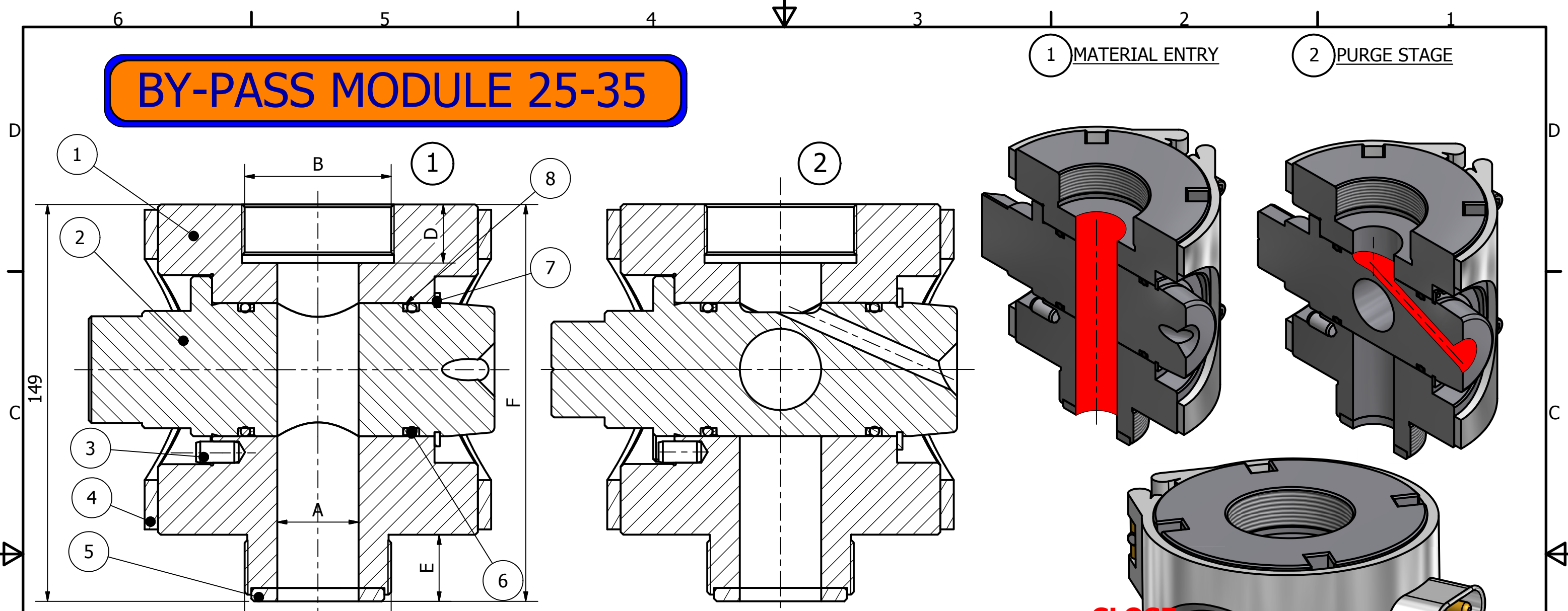
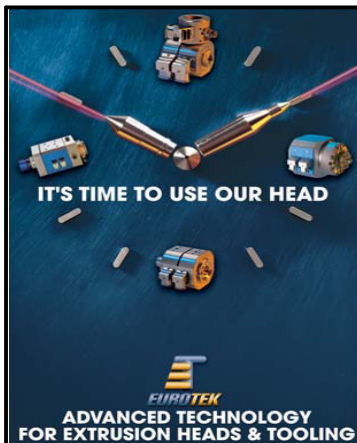


# BY-PASS MODULE 25-35



A	B	C	D	E	F
25	M60x3	M60x3	22	22.5	146.5
25	M65x3	M65x3	22	22.5	146.5
30.5	M65x3	M65x3	22	22.5	146.5
30.5	M65x2.5	M65x2.5	22	22.5	146.5
30.5	M55x2	M55x2	22	22.5	146.5
25	M55x2	M55x2	22	22.5	146.5

ITEM	DESCRIPTION
1	HEAD BY PASS
2	BY-PASS
3	PIN
4	HEATER (1000W)
5	WASHER
6	O-RING
7	SNAP RING
8	HOLDER RING



## BY-PASS MODULE 25-35

EUROTEK S.r.l.  
 66034 LANCIANO (Ch)- Italy  
 Phone:(+39) 0872 72581 FAX:(+39) 0872711978  
[www.eurotek-italy.it](http://www.eurotek-italy.it)  
 e-mail:info@eurotek-italy.it

