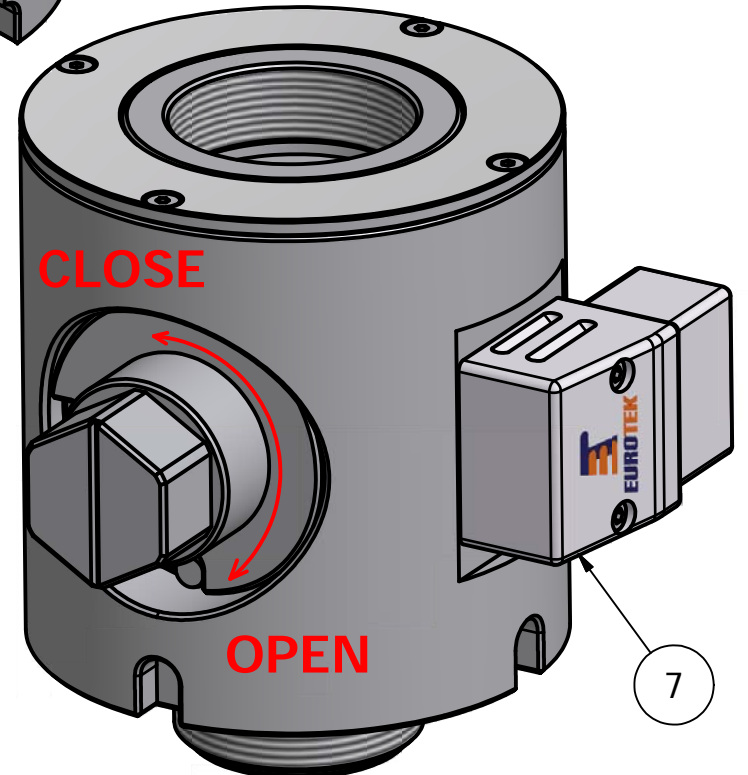
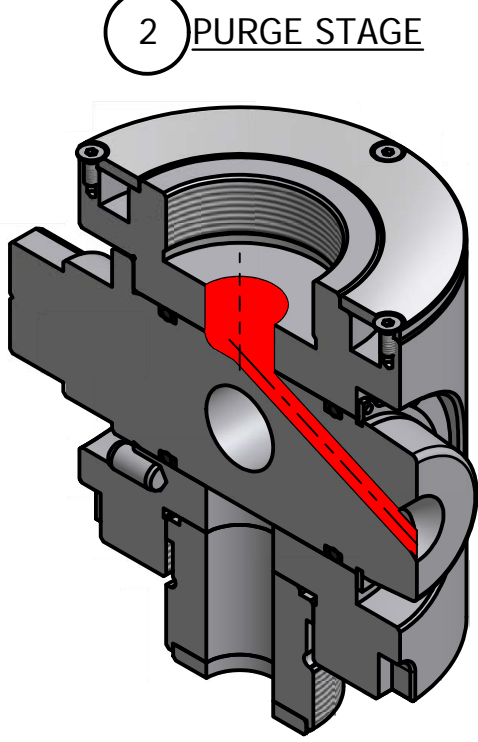
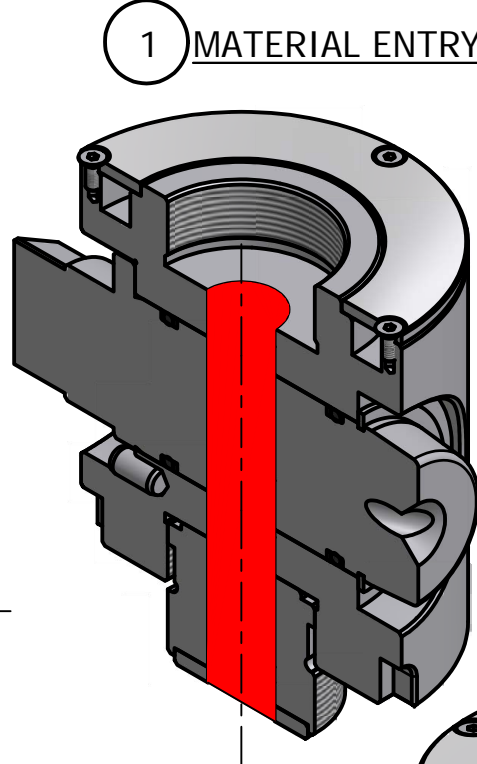
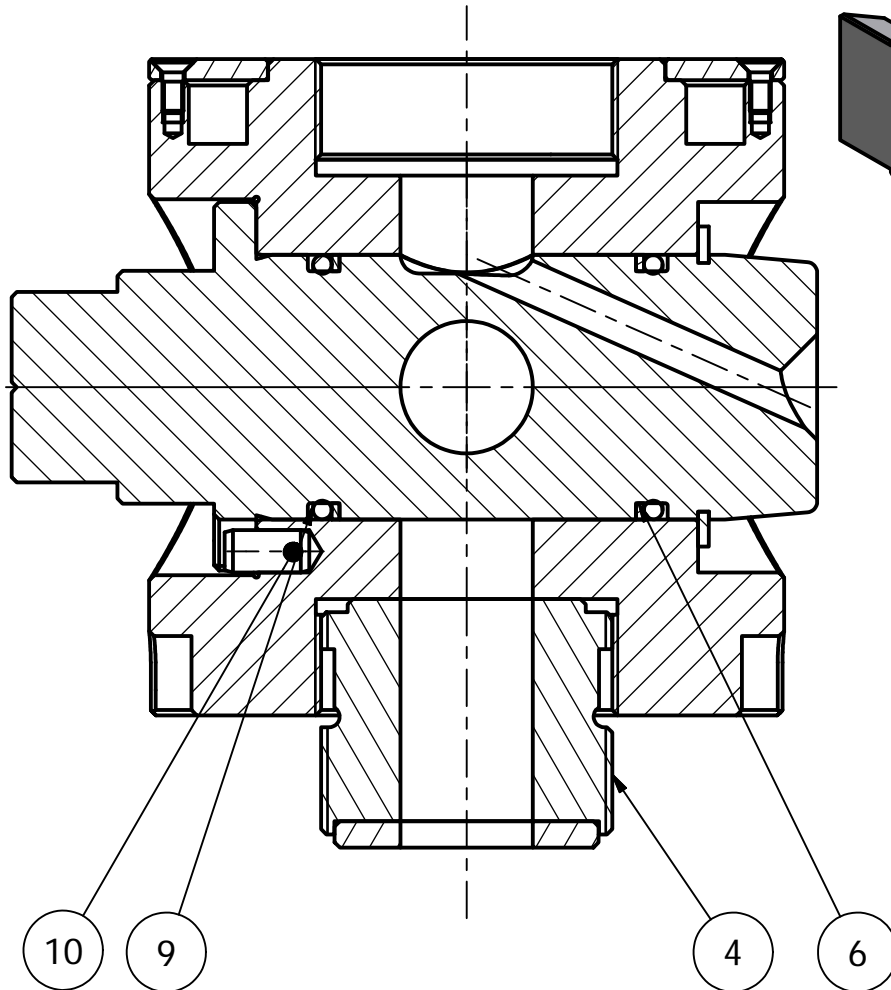
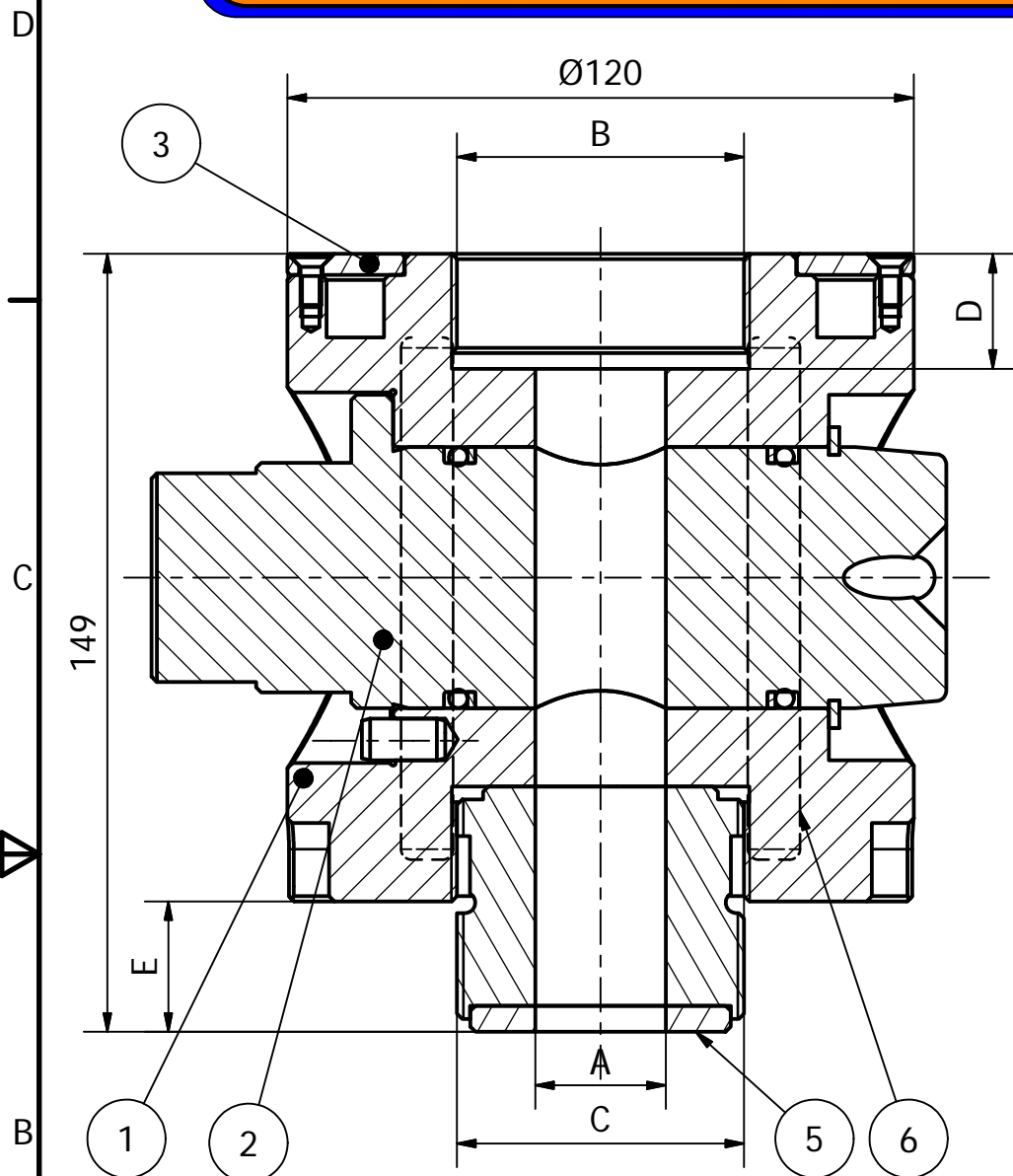
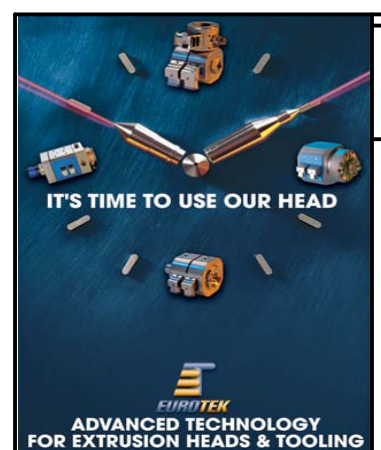


BY-PASS MODULE 25/38



ITEM	DESCRIPTION
1	BY-PASS BODY
2	BY-PASS
3	PURGE VALVE
4	FLANGE
5	WASHER
6	H. CARTRIDGES (POWER 1600W)
7	CONNECTOR
8	HOLDER RING
9	O-RING
10	PIN

A	B	C	D	E
30.5	M55x2	M55x2	22	22.5
25	M55x2	M55x2	22	22.5



BY-PASS MODULE 25/38

EUROTEK S.r.l. C.da Villa Andreoli,215/A
 66034 LANCIANO (Ch)- Italy
 Phone:(+39) 0872 72581 FAX:(+39) 0872711978
 www.eurotek-italy.it
 e-mail:info@eurotek-italy.it

