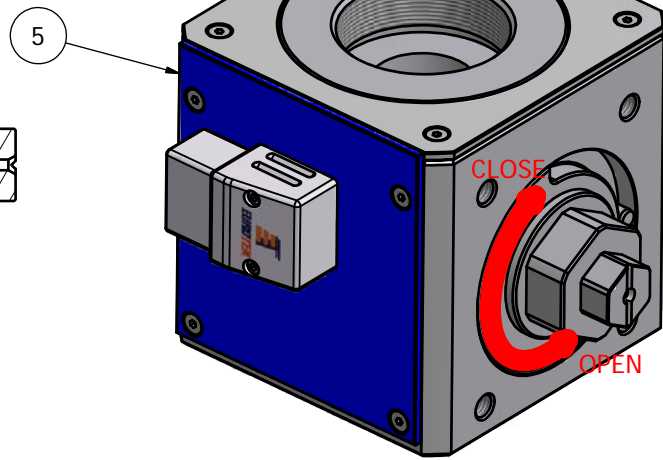
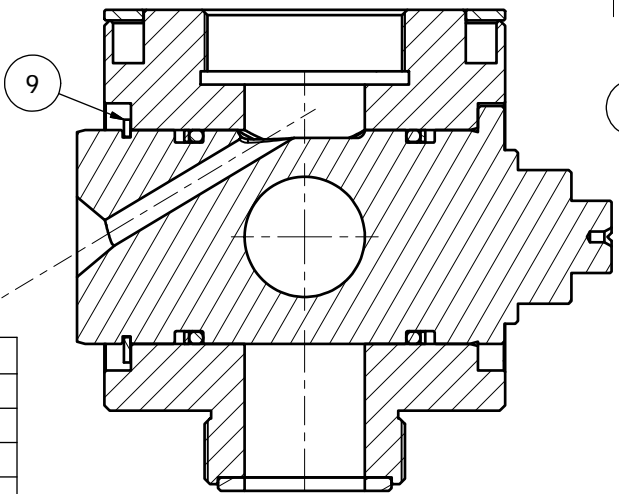
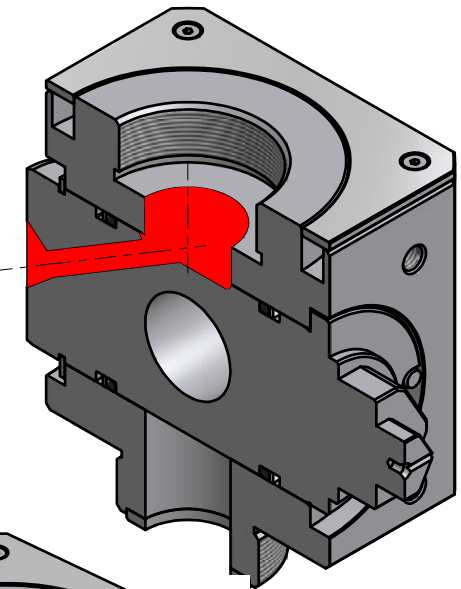
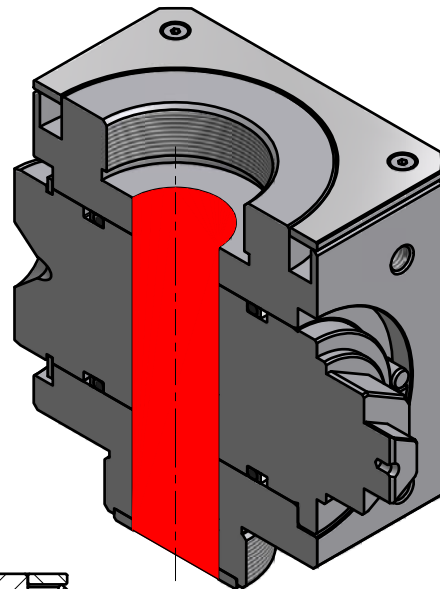
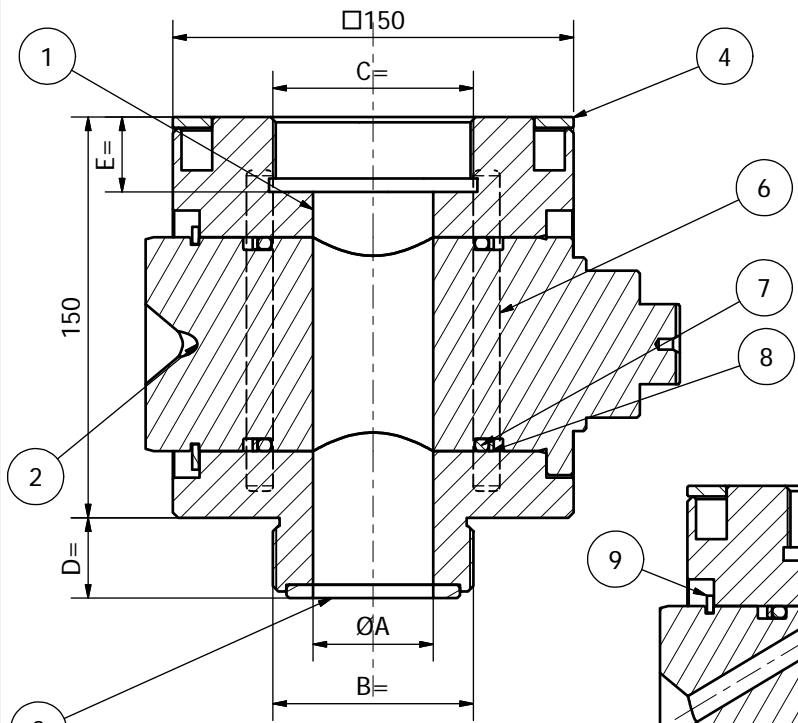


BY-PASS MODULE 40/50

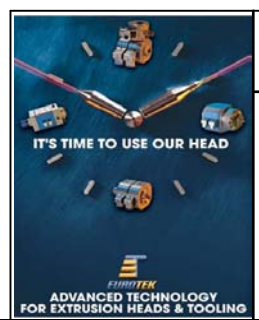
MATERIAL ENTRY

PURGE STRIAGE



ITEM	DESCRIPTION
1	BY-PASS BODY
2	BY-PASS
4	COVER CABLE HEAD
3	WASHER
5	SOCKET PLATE
6	H. CARTRIDGES (TOTAL 1000W)
7	O-RING
8	HOLDER RING
10	CONNECTOR

$\varnothing A$	$B=$	$C=$	$D=$	$E=$
40	75x2	75x2	30	28
45	75x2	75x2	30	28
50	100x3	100x3	43	33



BY-PASS MODULE 40/50

EUROTEK S.r.l.
66034 LANCIANO (Ch)- Italy
Phone: (+39) 0872 72581 FAX: (+39) 0872 711978
www.eurotek-italy.it
E-mail: info@eurotek-italy.it

