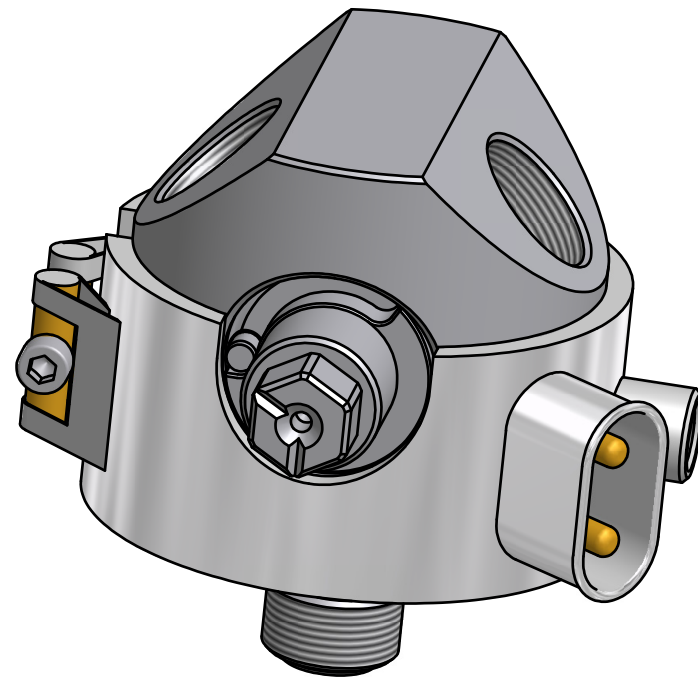
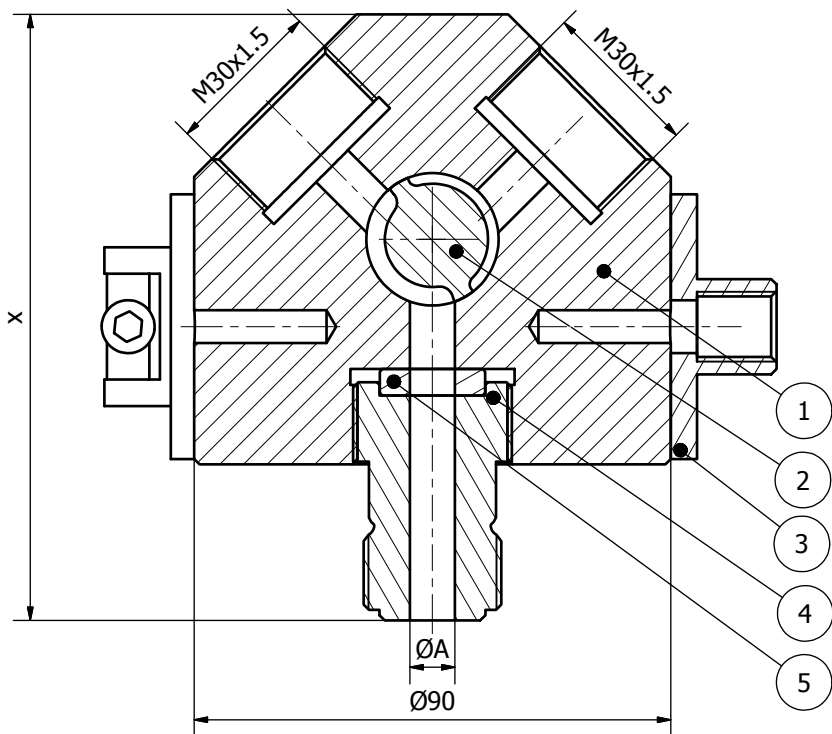
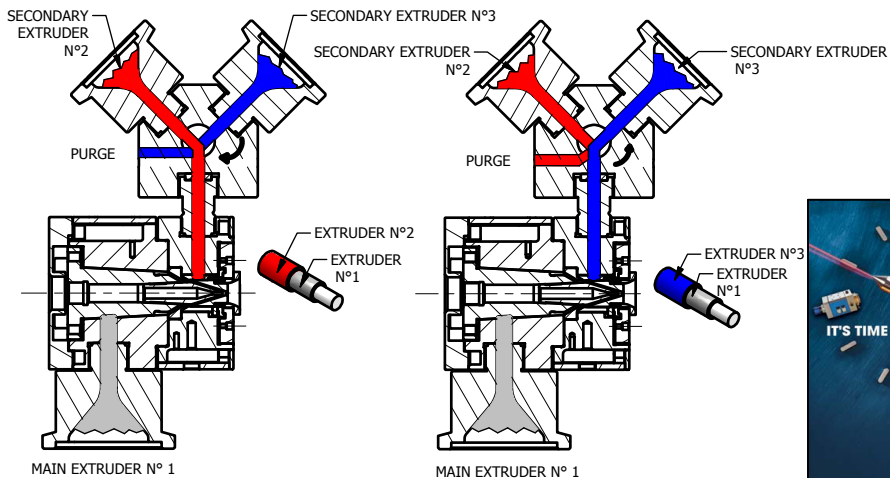


# MANUAL QUICK COLOR CHANGE - MCC10



## FUNCTIONING CONCEPT



ITEM	DESCRIPTION
1	BODY
2	COLOR CHANGE
3	HEATHER
4	CONNECTOR
5	STEEL WASHER

## MANUAL COLOR CHANGE MODULE WITH EXTRUDER IN PURGE

EUROTEK S.r.l.  
 66034 LANCIANO (Ch) - Italy  
 Phone: (+39) 0872 72581 FAX: (+39) 0872 711978  
[www.eurotek-italy.it](http://www.eurotek-italy.it)  
 E-mail: [info@eurotek-italy.it](mailto:info@eurotek-italy.it)

