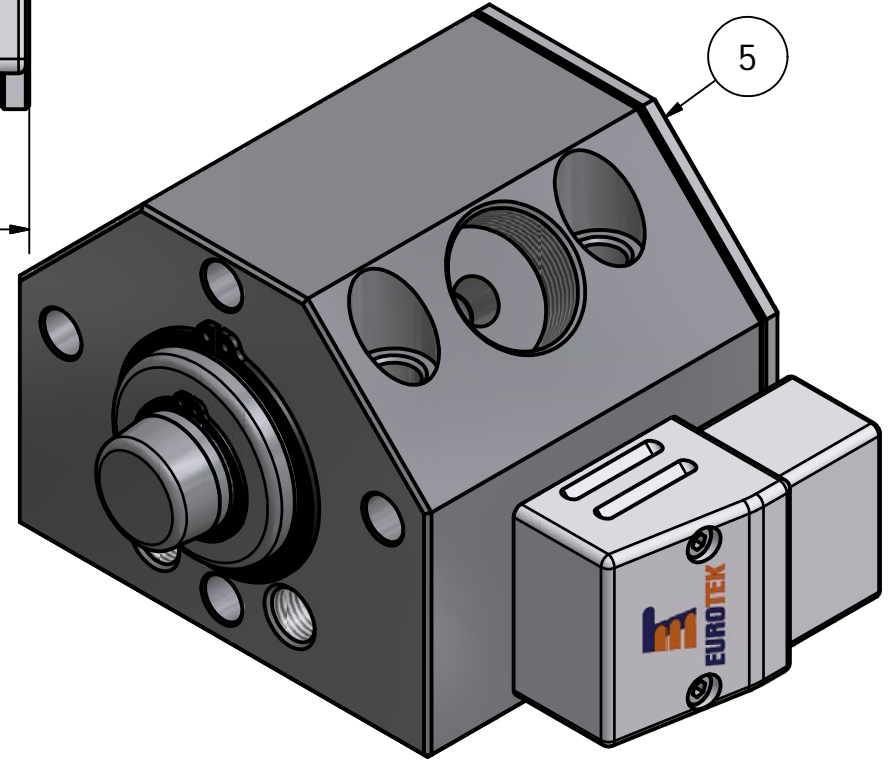
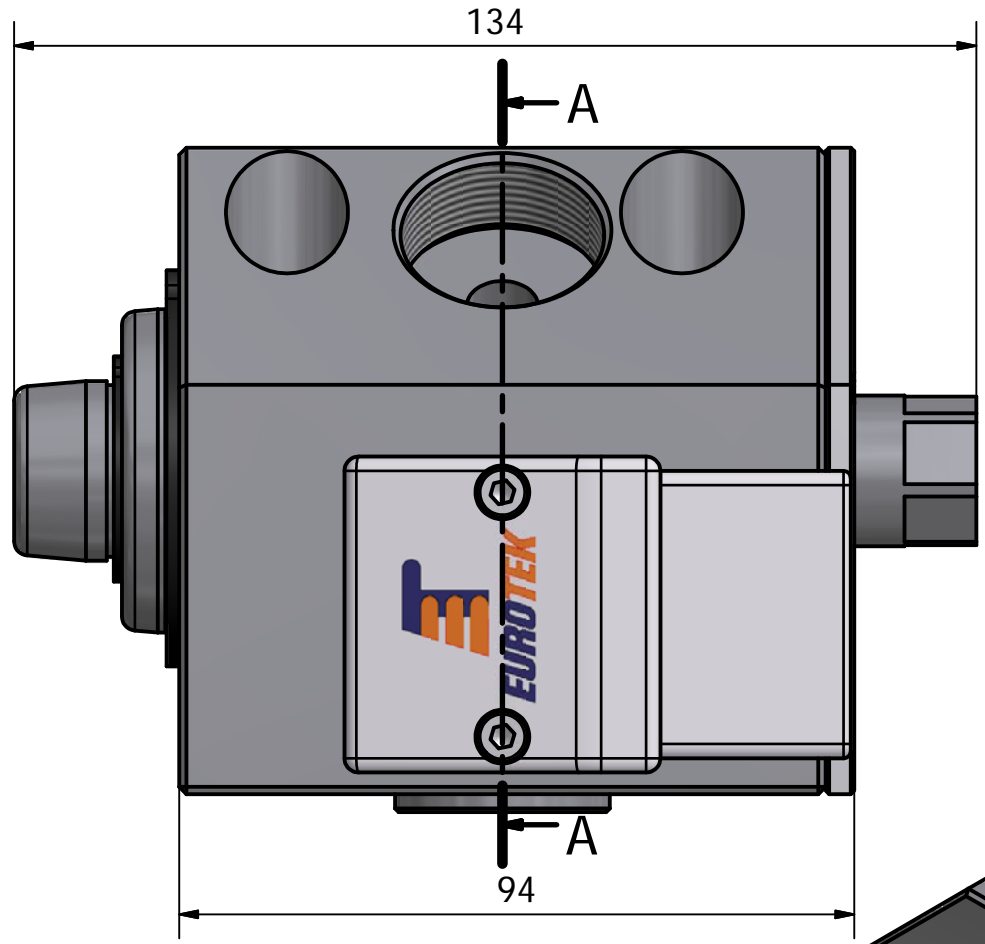
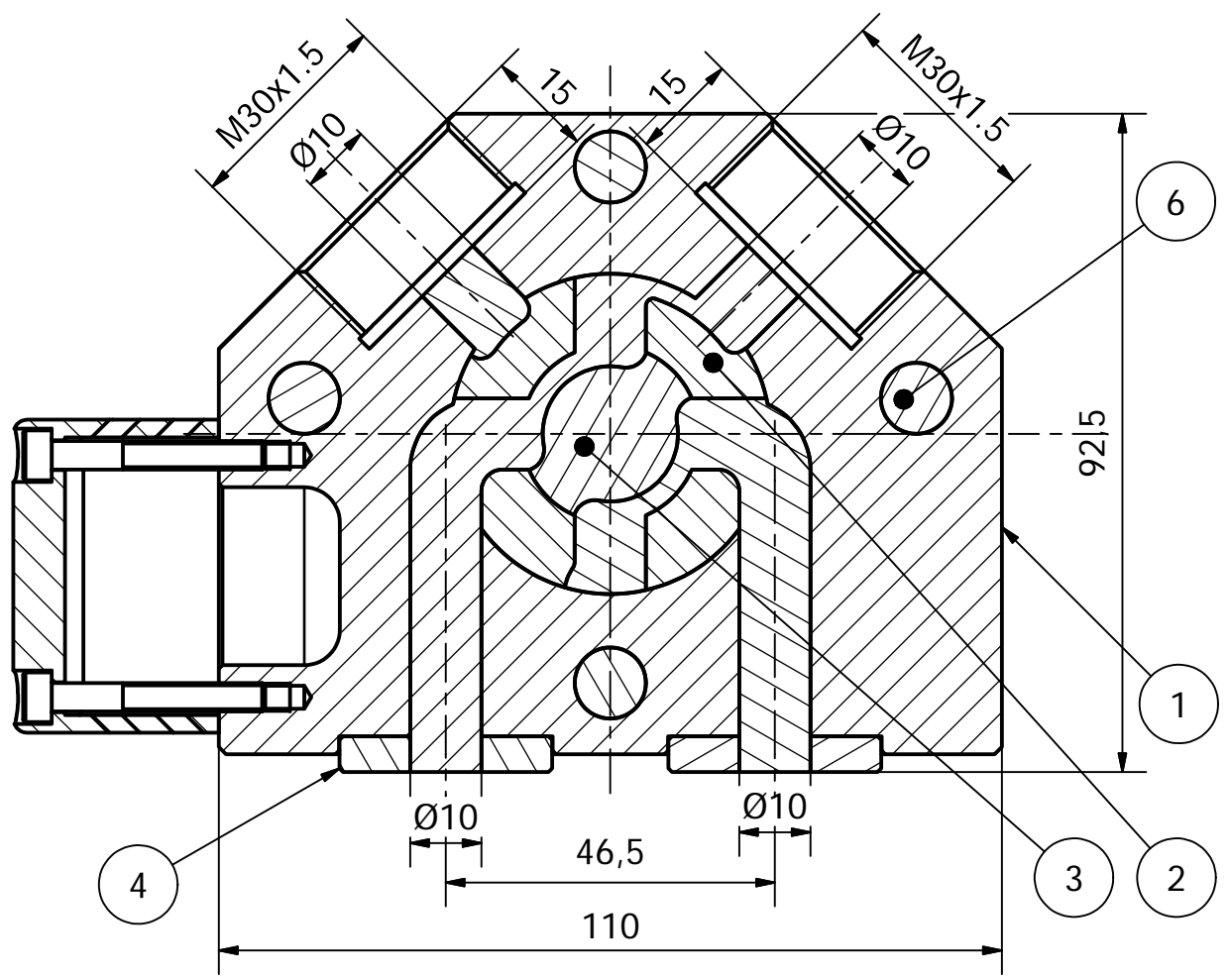
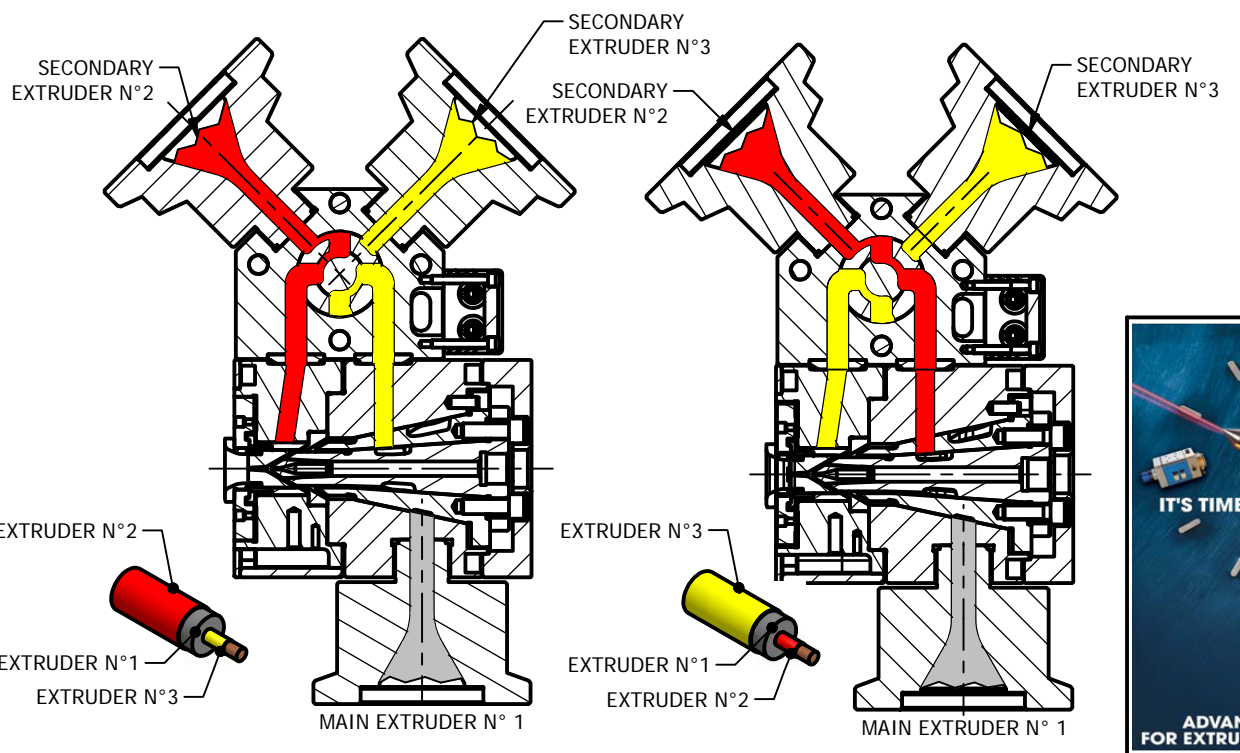


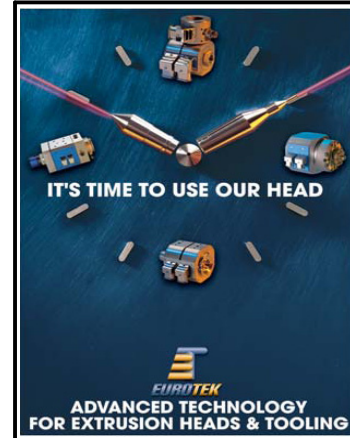
QUICK COLOR CHANGE - MIF10



FUNCTIONING CONCEPT



ITEM	DESCRIPTION
1	MAIN BODY
2	DISTRIBUTOR
3	FLOW INVERTER
4	WASHER
5	COVER - CABLE PLATE
6	H. CARTRIDGES 220V 1000W
7	POWER CONNECTION



QUICK COLOR CHANGE - MIF10

EUROTEK S.r.l.
 66034 LANCIANO (Ch)- Italy
 Phone:(+39) 0872 72581 FAX:(+39) 0872 711978
 www.eurotek-italy.it
 E-mail: info@eurotek-italy.it

