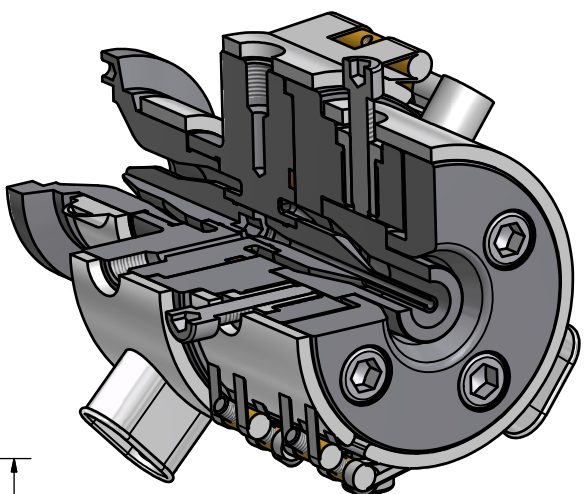
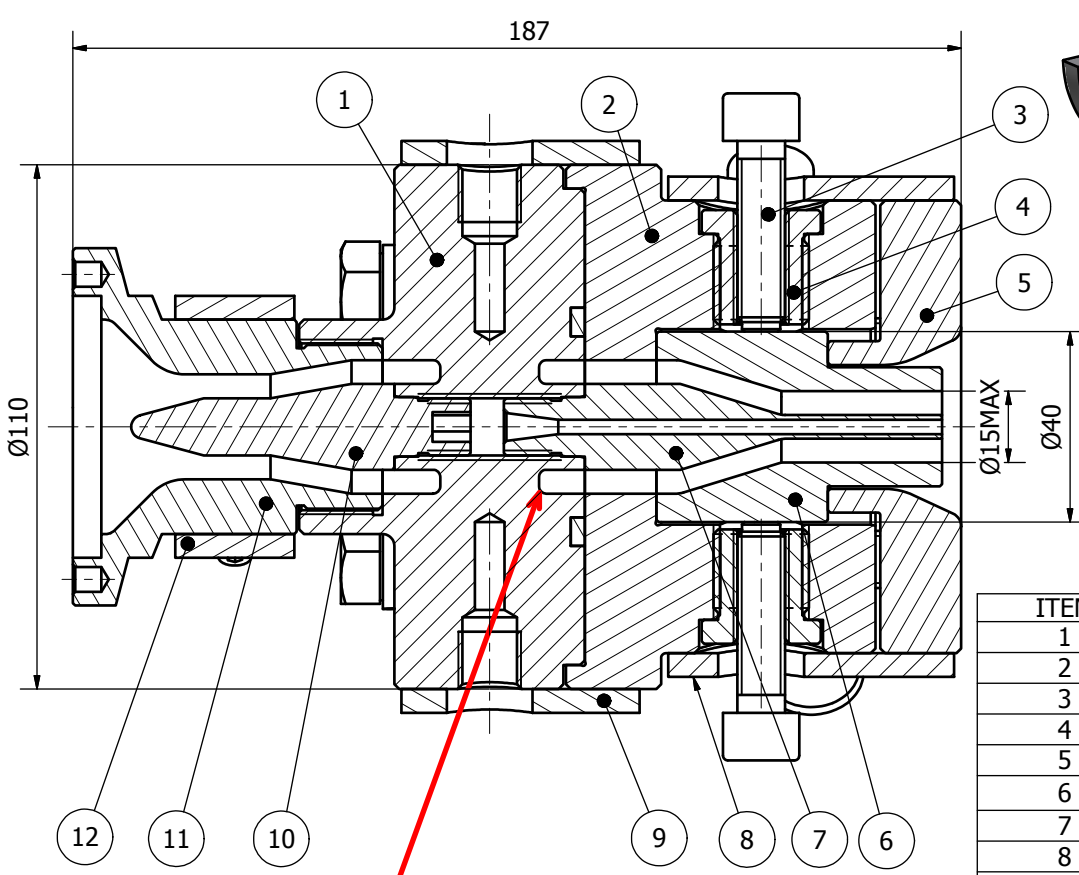

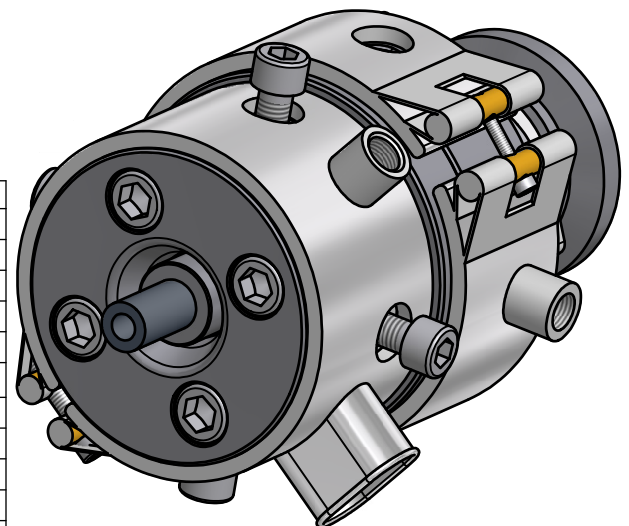


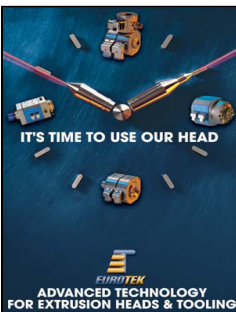
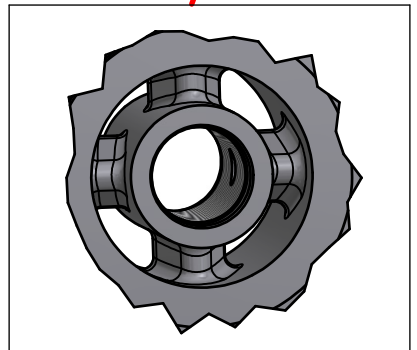
CROSSHEAD ECM-TT/15



APPLICATION	
	SINGLE LAYER
MAX TUBE DIE DIAMETER : 15mm	
MAX DIAMETER PIPE: 10mm	



ITEM	DESCRIPTION
1	MAIN BODY
2	HOLDING DIE PLATE
3	CENTERING SCREW
4	BUSHES
5	HOLDING DIE NUT
6	DIE
7	TIP
8	FRONT HEATER
9	CENTRE HEATER
10	FLOW DIFFUSER
11	CONNECTING FLANGE
12	BACK HEATER



CROSSHEAD ECM-TT/15

EUROTEK S.r.l.
 66034 LANCIANO (Ch)- Italy
 Phone:(+39) 0872 72581 FAX:(+39) 0872 711978
www.eurotek-italy.it
 E-mail: info@eurotek-italy.it

