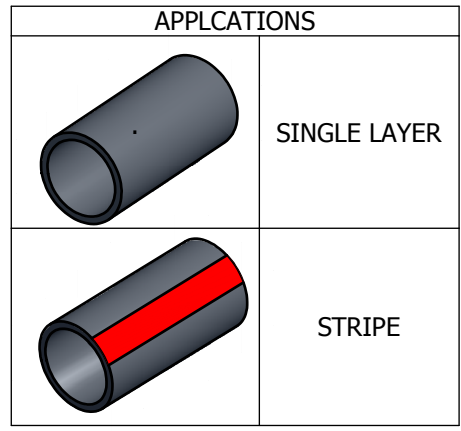
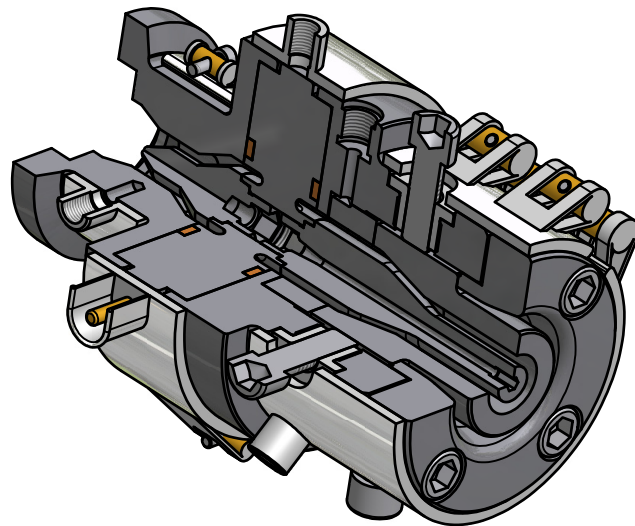
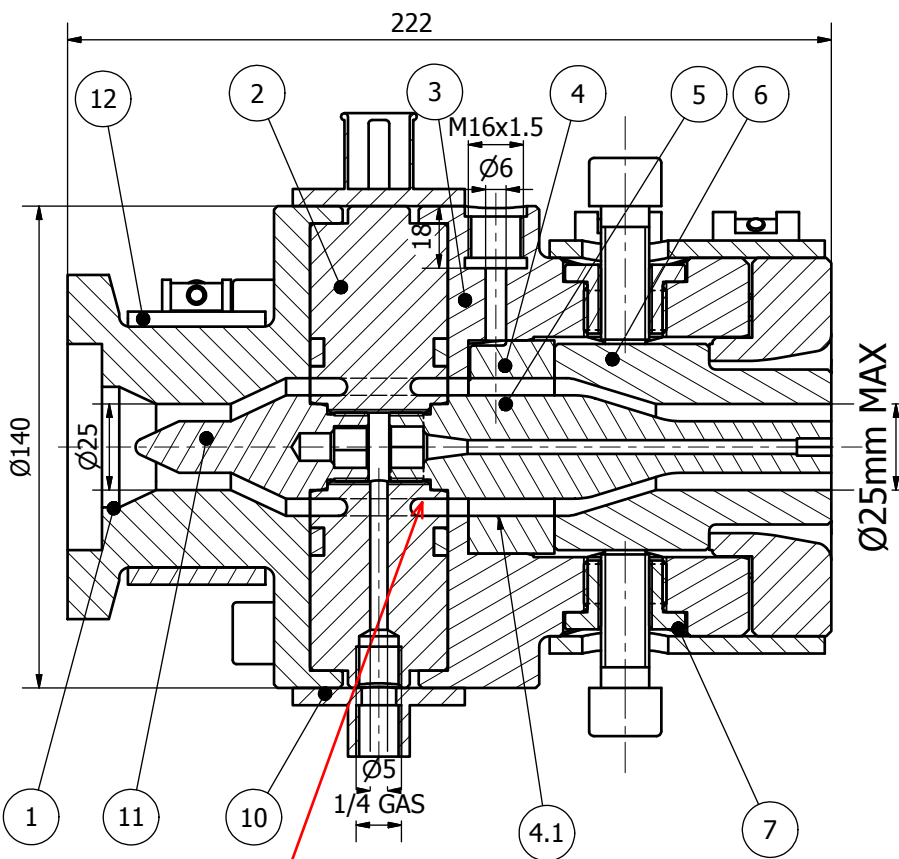
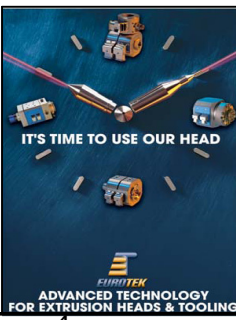
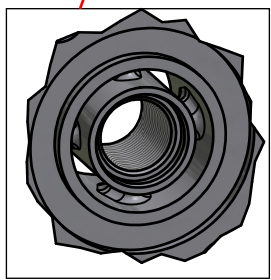
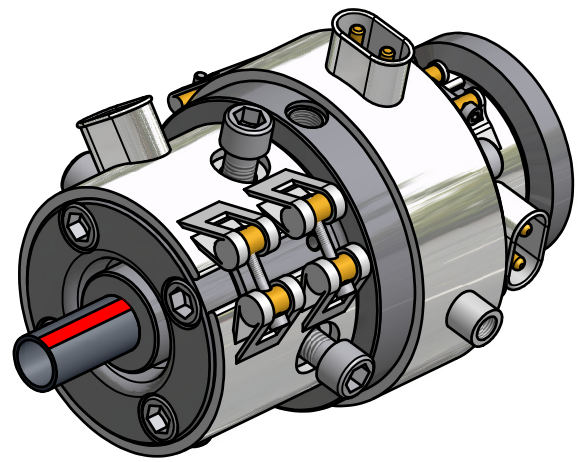


CROSSHEAD ECM-TT/25-C



MAX TUBE DIE DIAMETER: 25mm
 MAX DIAMETER PIPE: 20mm

ITEM	DESCRIPTION
1	EXTRUDER CONNECTION
2	MAIN BODY
3	COEXTRUSION PLATE
4	RING FOR STRIPING
4.1	NEUTRAL RING
5	TIP
6	DIE
7	HEATER DIE
8	HOLDING DIE NUT
9	FRONT HEATER
10	CENTRAL HEATER
11	FLOW DIFFUSER
12	REAR HEATER



CROSSHEAD ECM-TT/25-C

EUROTEK S.r.l.
 66034 LANCIANO (Ch)- Italy
 Phone:(+39) 0872 72581 FAX:(+39) 0872 711978
 www.eurotek-italy.it
 E-mail: info@eurotek-italy.it

