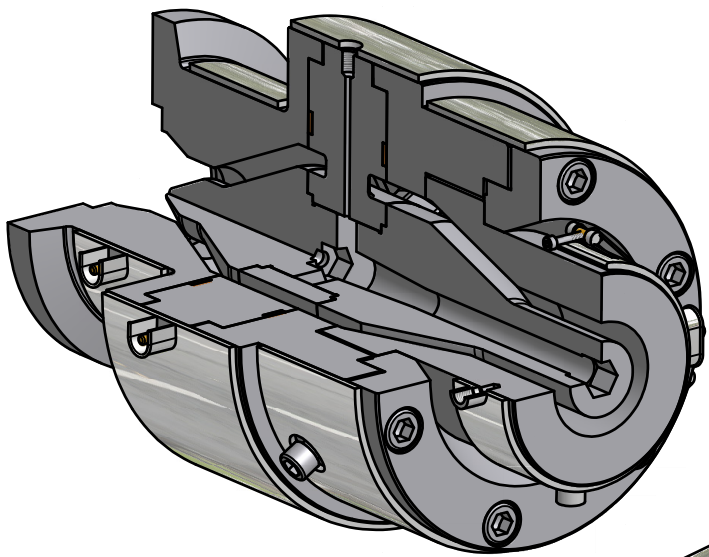
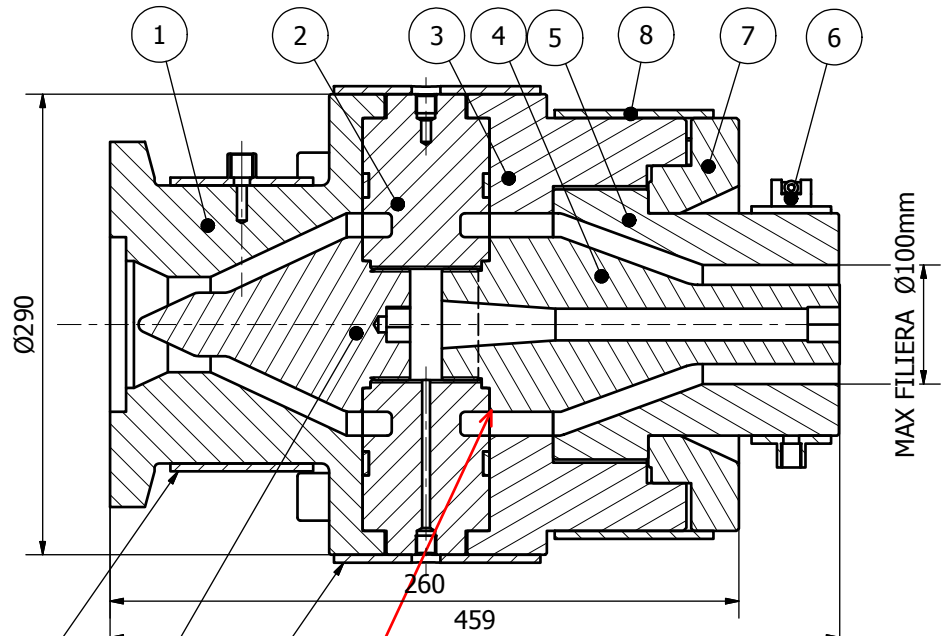

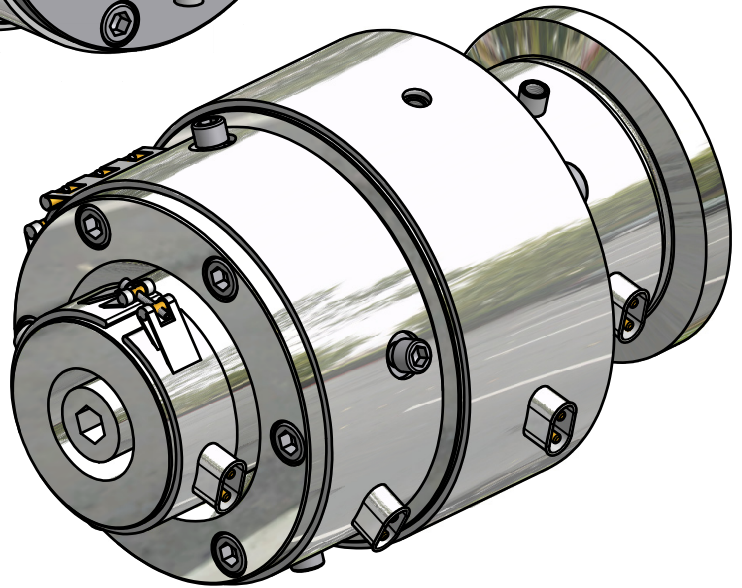


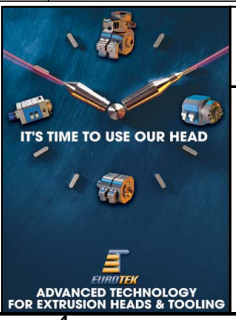
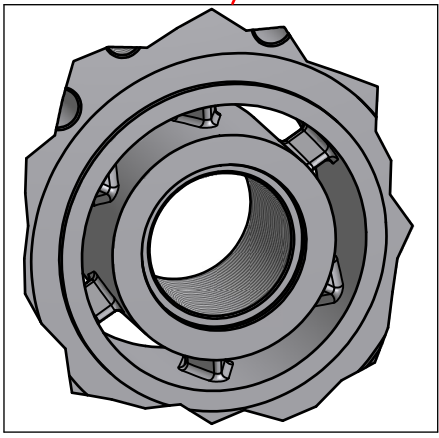
CROSSHEAD ECM-TT/75



APPLICATION	
	SINGLE LAYER
MAX TUBE DIE DIAMETER: 100mm	
MAX DIAMETER PIPE: 75mm	



ITEM	DESCRIPTION
1	EXTRUDER CONNECTION
2	MAIN BODY
3	HOLDING DIE PLATE
4	TIP
5	DIE
6	HEATER DIE
7	HOLDING DIE NUT
8	HEATER FRONT
9	HEATER CENTRE
10	FLOW DIFFUSER
11	HEATER BACK



CROSSHEAD ECM-TT/75

EUROTEK S.r.l.
 66034 LANCIANO (Ch)- Italy
 Phone: (+39) 0872 72581 FAX: (+39) 0872 711978
 www.eurotek-italy.it
 E-mail: info@eurotek-italy.it

