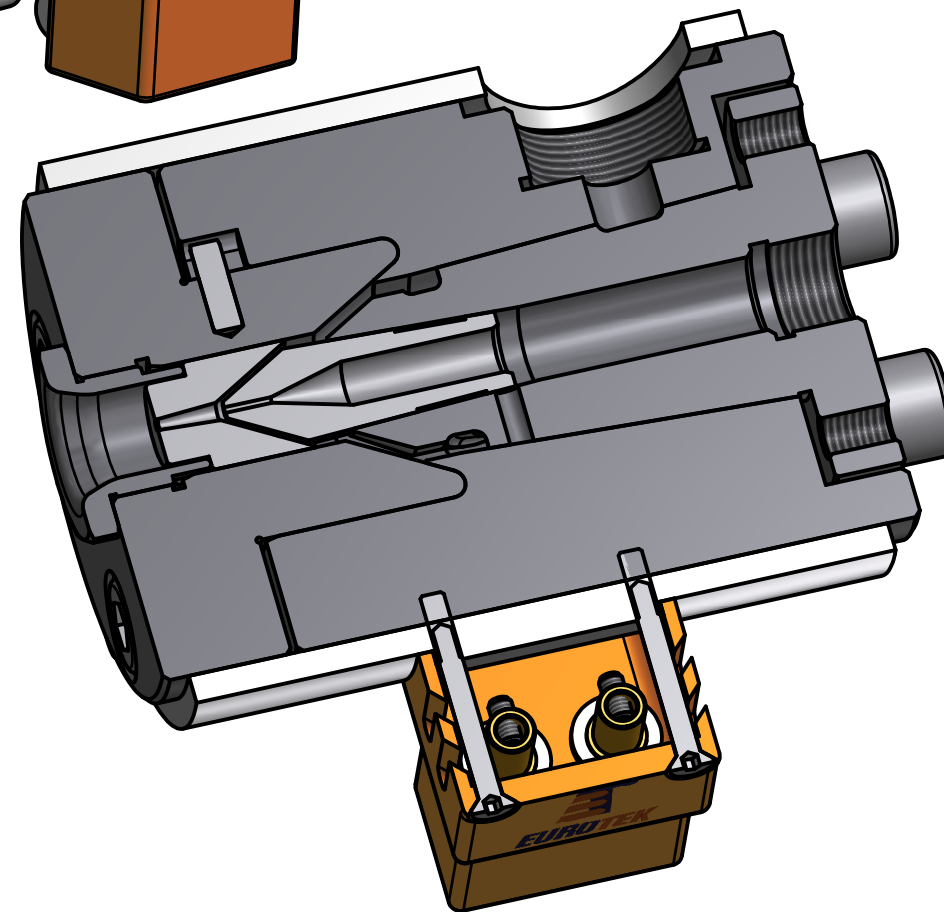
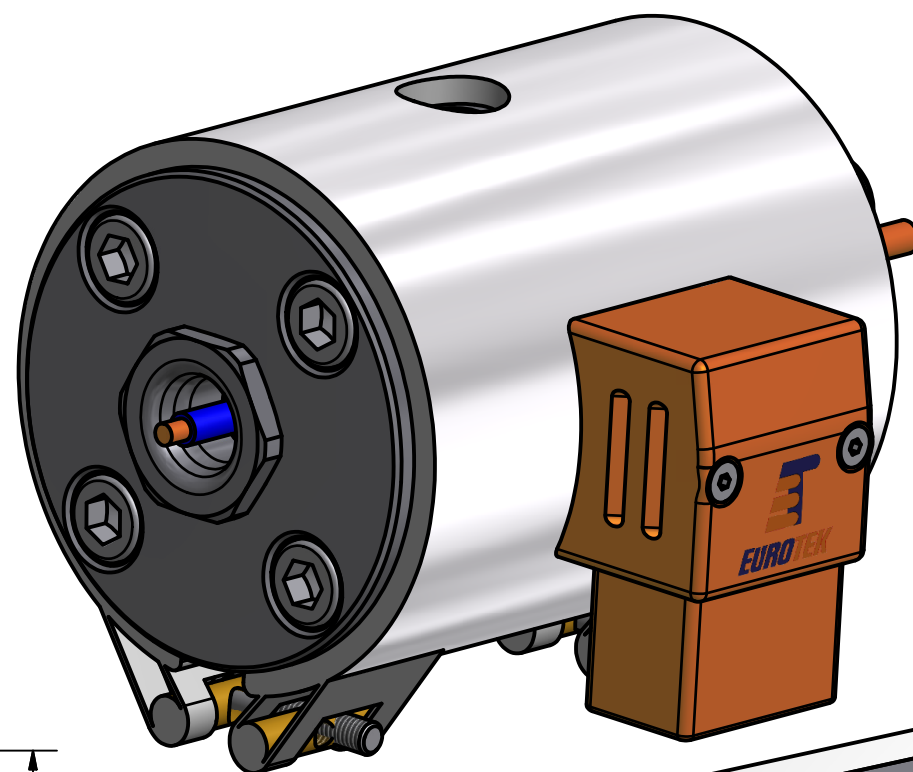
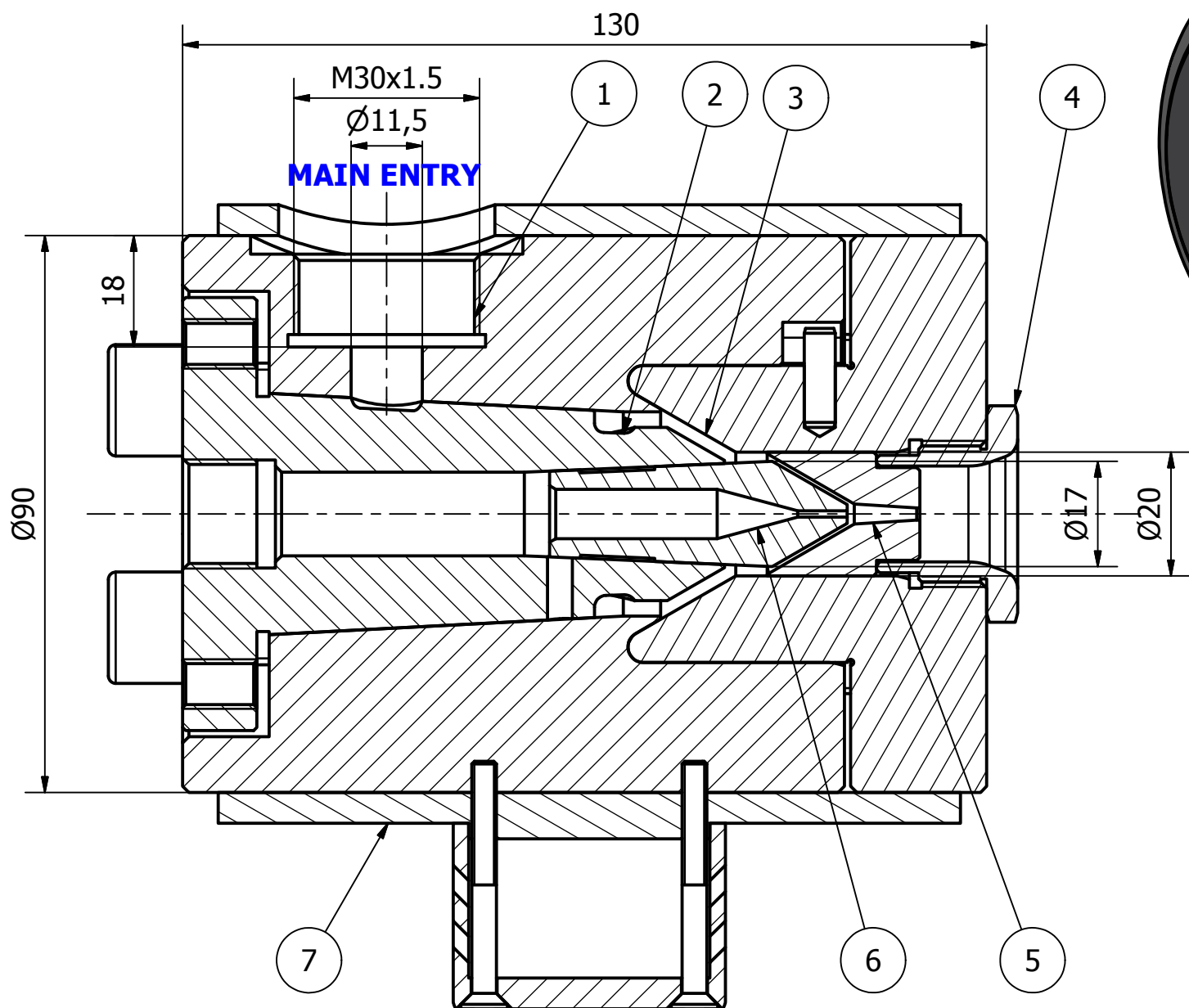


CROSSHEAD ECF-10/LB-M

SELF-CENTERING FOR SINGLE LAYER



APPLICATIONS



SINGLE LAYER



FLAT CABLE

Ø MAX CONDUCTOR: 5mm
 MAX OVER INSULATION: 7mm
 MAX TUBE DIE DIAMETER: 10mm

ITEM	DESCRIPTION
1	HEAD BODY
2	CARTRIDGE
3	HOLDING DIE
4	ADJUSTING DIE NUT
5	DIE
6	TIP
7	HEATER 220V 1000W



CROSSHEAD ECF-10/LB-M

EUROTEK S.r.l.
 66034 LANCIANO (Ch)- Italy
 Phone:(+39) 0872 72581 FAX:(+39) 0872 711978
www.eurotek-italy.it
 E-mail: info@eurotek-italy.it

