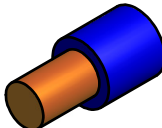


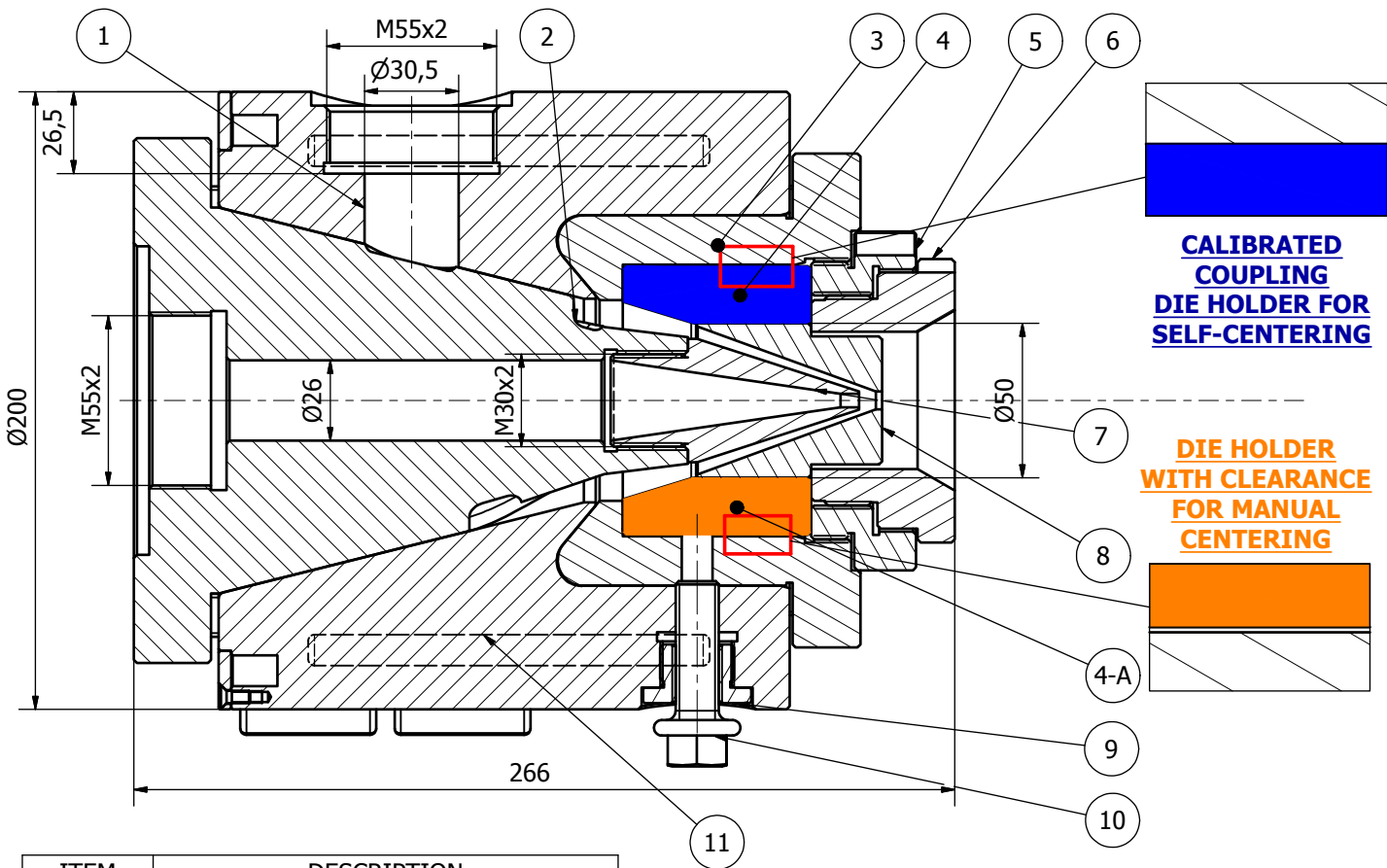
CROSSHEAD ECM25/M



MANUAL AND SELF-CENTERING SINGLE LAYER

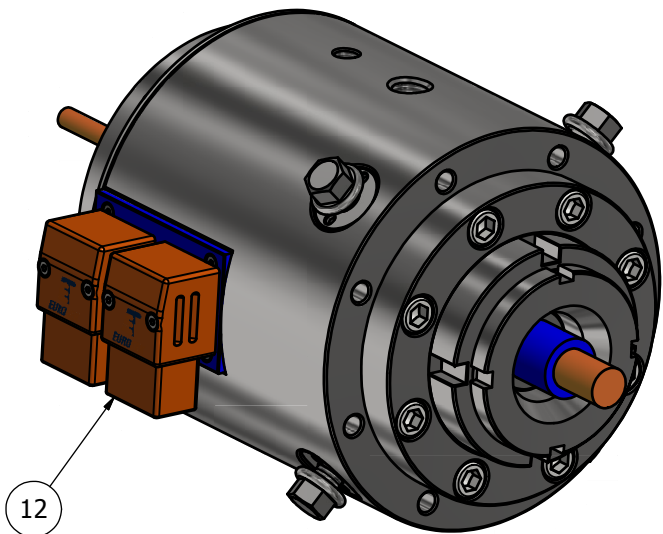
| APPLICATION | |
|---|--------------|
|  | SINGLE LAYER |

| |
|-----------------------|
| Ø MAX CONDUCTOR: 25mm |
| Ø MAX DIE: 40mm |



**CALIBRATED
COUPLING
DIE HOLDER FOR
SELF-CENTERING**

**DIE HOLDER
WITH CLEARANCE
FOR MANUAL
CENTERING**



| ITEM | DESCRIPTION |
|------|----------------------------------|
| 1 | HEAD BODY |
| 2 | CARTRIDGE |
| 3 | HOLDING RING |
| 4 | HOLDING DIE FOR FIXED CENTERING |
| 4-A | HOLDING DIE FOR MANUAL CENTERING |
| 5 | HOLDING NUT FOR HOLDING DIE |
| 6 | ADJUSTING DIE NUT |
| 7 | TIP |
| 8 | DIE |
| 9 | BUSHES |
| 10 | CENTERING SCREW |
| 11 | H. CARTRIDGES 220V (8x500W) |
| 12 | POWER CONNECTOR |

ELECTRICAL POWER : 4000W



CROSSHEAD ECM25/M ECO-LINE

EUROTEK S.r.l.
66034 LANCIANO (Ch)- Italy
Phone:(+39) 0872 72581 FAX:(+39) 0872 711978
www.eurotek-italy.it
E-mail: info@eurotek-italy.it

