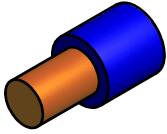


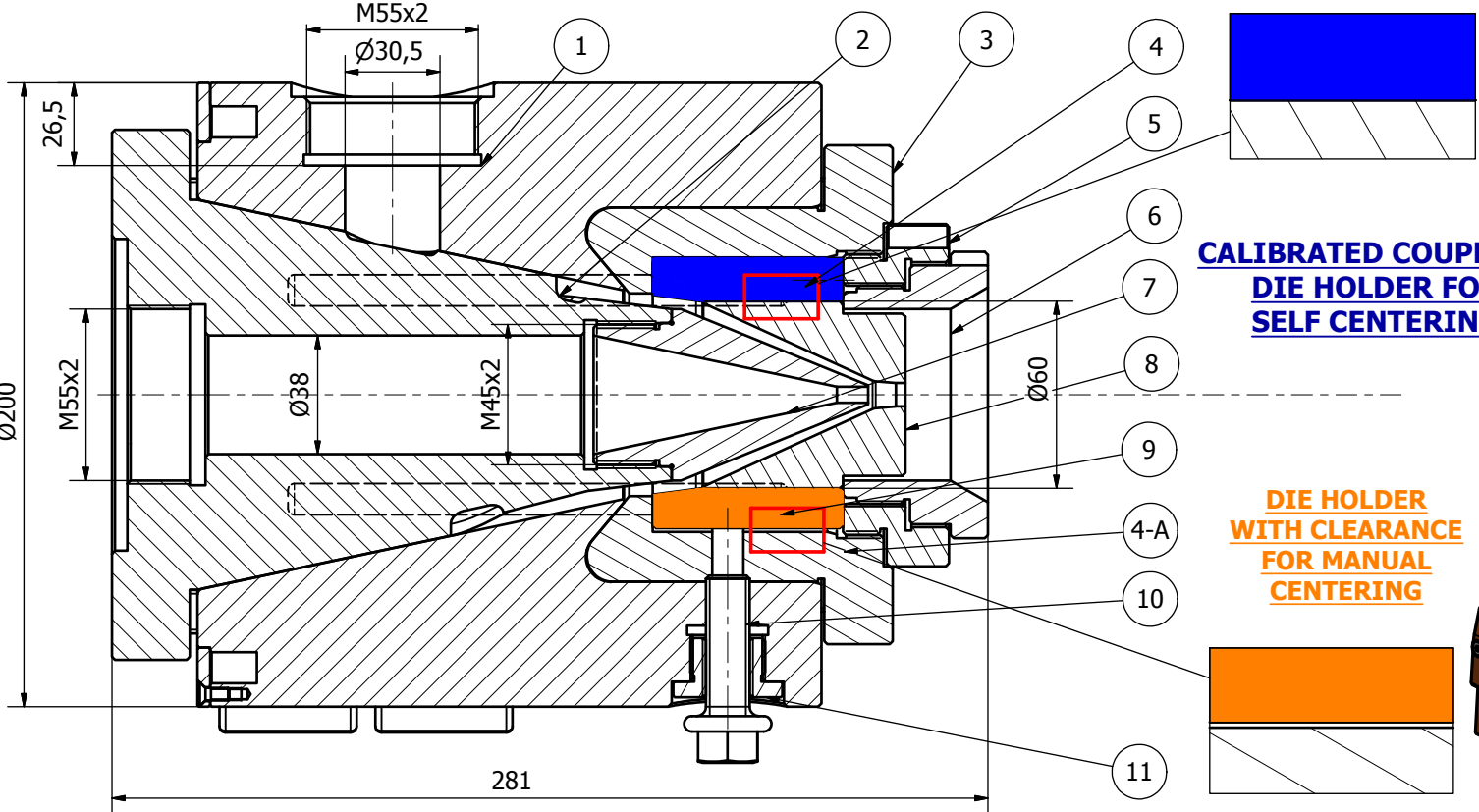
# CROSSHEAD ECM35/M



MANUAL AND SELF-CENTERING SINGLE LAYER

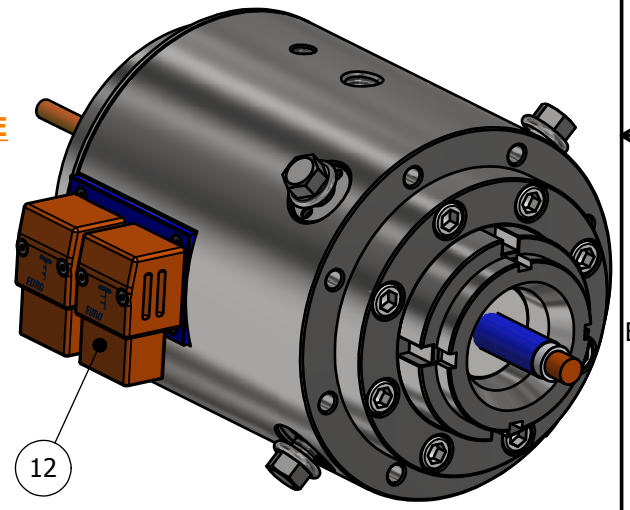
| APPLICATIONS  |              |
|---|--------------|
|  | SINGLE LAYER |

Ø MAX CONDUCTOR: 35mm  
Ø MAX DIE: 50mm



**CALIBRATED COUPLING  
DIE HOLDER FOR  
SELF CENTERING**

**DIE HOLDER  
WITH CLEARANCE  
FOR MANUAL  
CENTERING**



| ITEM | DESCRIPTION                      |
|------|----------------------------------|
| 1    | HEAD BODY                        |
| 2    | CARTRIDGE                        |
| 3    | HOLDING-RING                     |
| 4    | HOLDING DIE FOR FIXED CENTERING  |
| 4-a  | HOLDING DIE FOR MANUAL CENTERING |
| 5    | HOLDING NUT FOR HOLDING DIE      |
| 6    | ADJUSTING DIE NUT                |
| 7    | TIP                              |
| 8    | DIE                              |
| 9    | INTERNAL H. CARTRIDGES 220V 630W |
| 10   | CENTERING SCREW                  |
| 11   | BUSHES                           |
| 12   | POWER CONNECTOR                  |

**ELECTRICAL POWER : 5040W**



## CROSSHEAD ECM35/M ECO-LINE

EUROTEK S.r.l.  
66034 LANCIANO (Ch)- Italy  
Phone:(+39) 0872 72581 FAX:(+39) 0872 711978  
www.eurotek-italy.it  
E-mail: info@eurotek-italy.it

