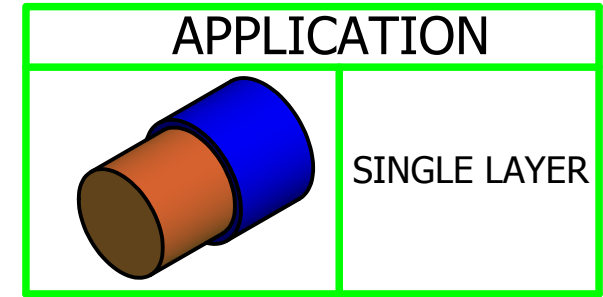


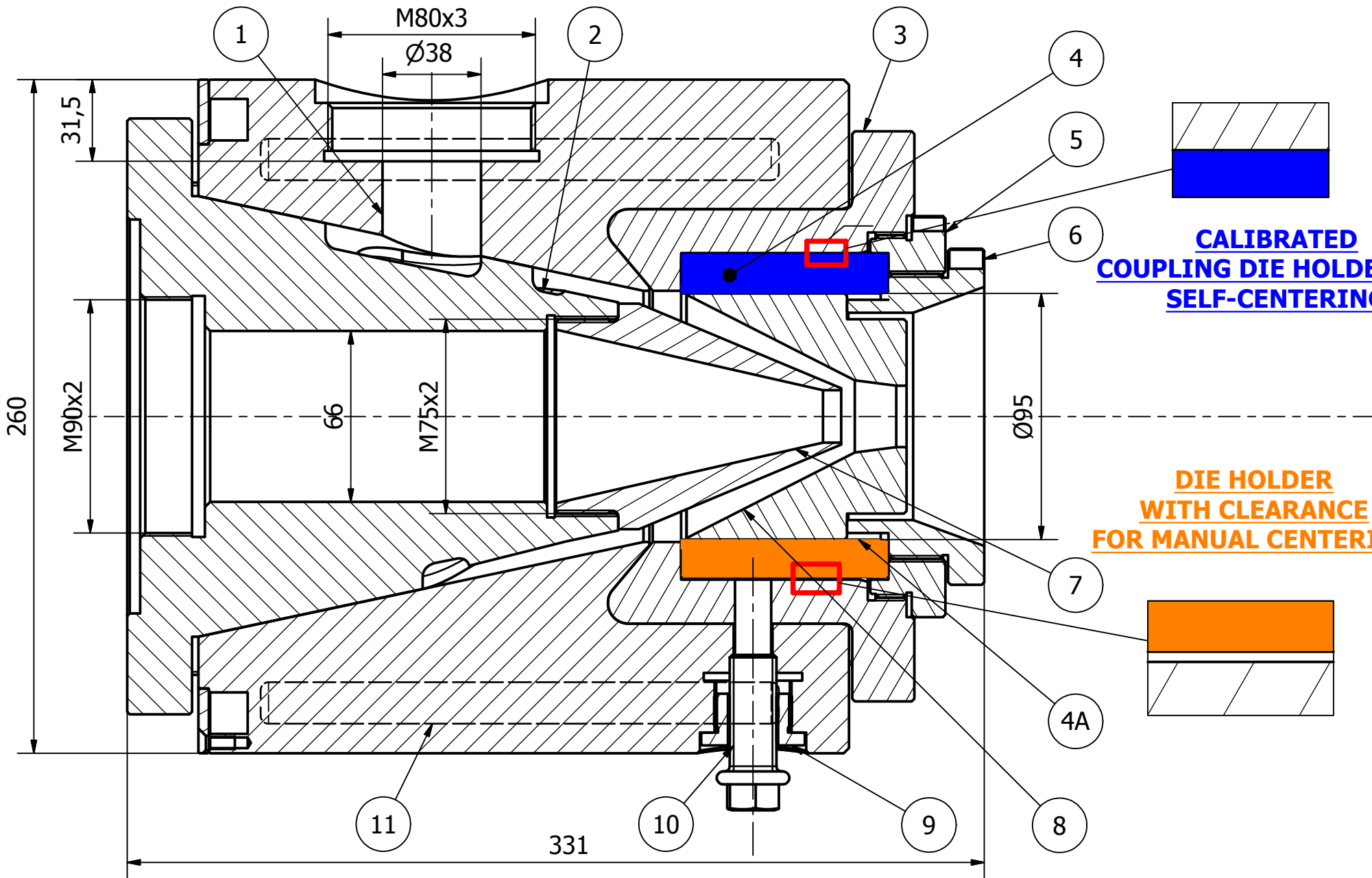
CROSSHEAD ECM65/M

Eco-Line

MANUAL AND SELF-CENTERING SINGLE LAYER

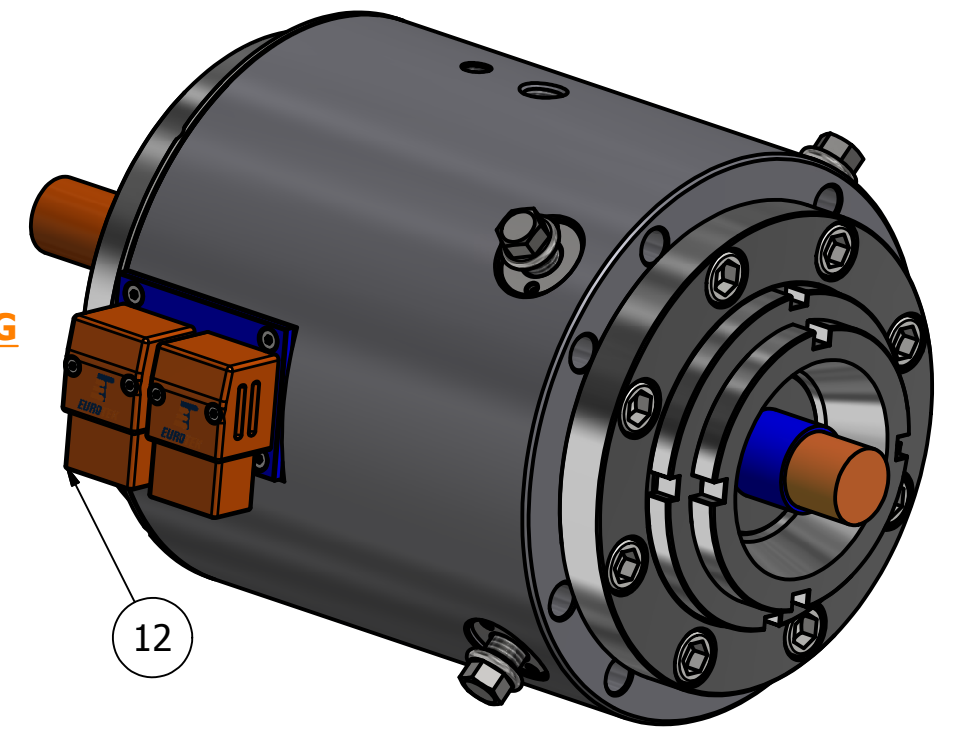


Ø MAX CONDUCTOR: 65mm
Ø MAX DIE: 75mm



**CALIBRATED
COUPLING DIE HOLDER FOR
SELF-CENTERING**

**DIE HOLDER
WITH CLEARANCE
FOR MANUAL CENTERING**



ITEM	DESCRIPTION
1	HEAD BODY
2	CARTRIDGE
3	HOLDING RING
4	HOLDING DIE FOR FIXED CENTERING
4A	HOLDING DIE FORMANUAL CENTERING
5	HOLDING NUT FOR HOLDING DIE
6	ADJUSTING DIE NUT
7	TIP
8	DIE
9	BUSHES
10	CENTERING SCREW
11	INTERNAL H. CARTRIDGES 220V (8x800W)
12	POWER CONNECTOR

ELECTRICAL POWER: 6400W



CROSSHEAD ECM65/M ECO-LINE

EUROTEK S.r.l.
66034 LANCIANO (Ch)- Italy
Phone:(+39) 0872 72581 FAX:(+39) 0872 711978
www.eurotek-italy.it
E-mail: info@eurotek-italy.it

