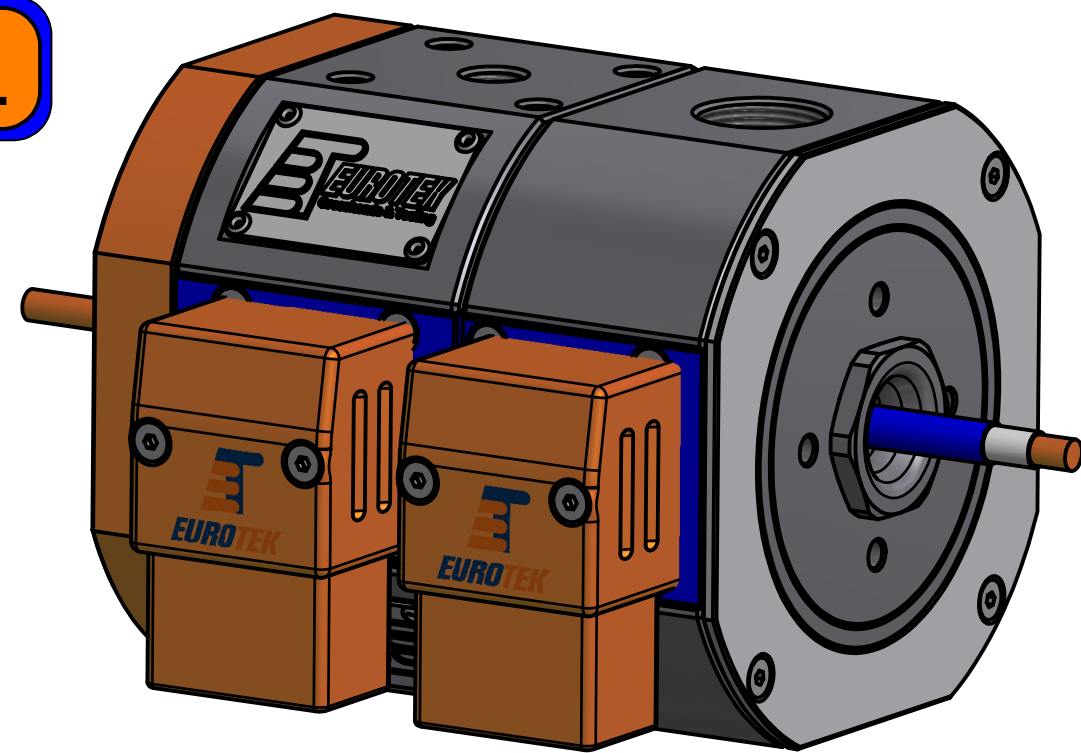
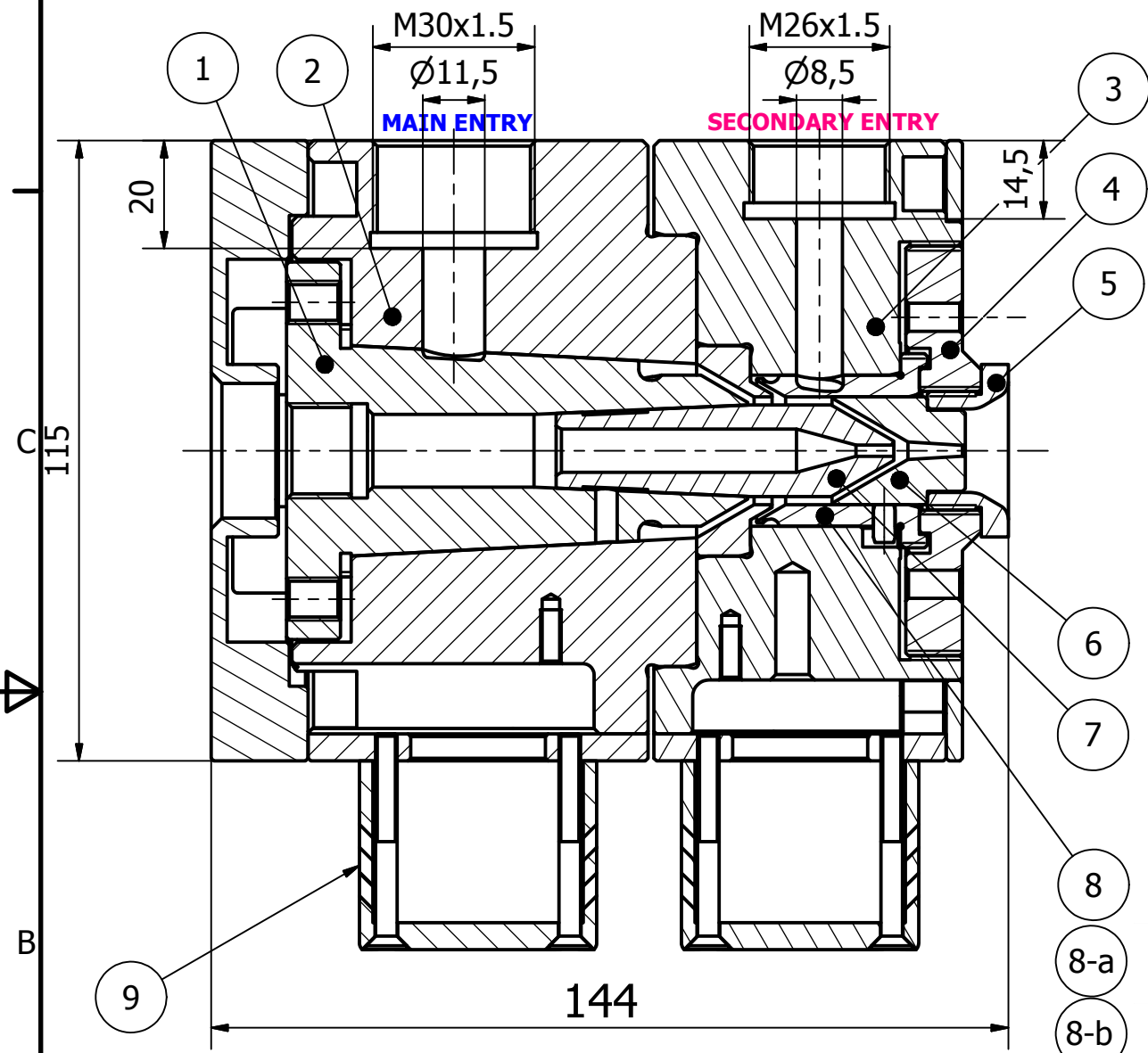


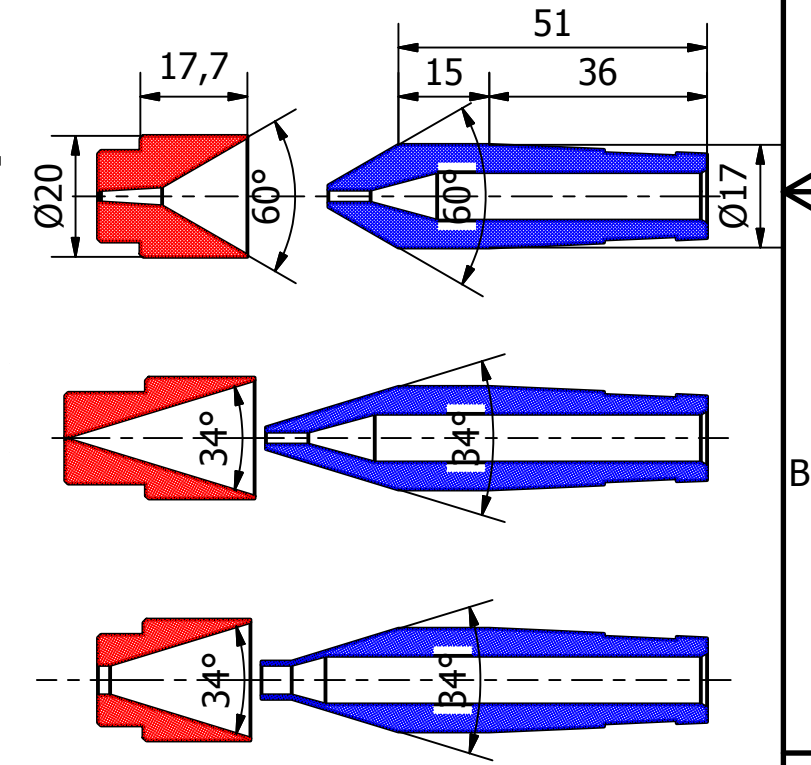
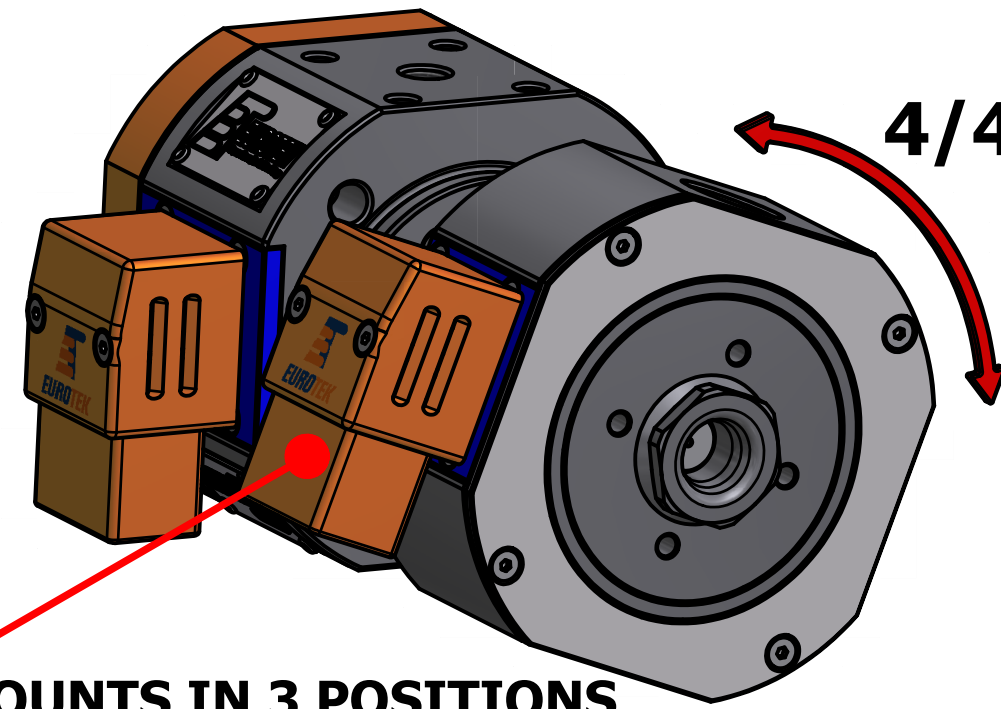
CROSSHEAD ECF-10/SE-XL

COEXTRUSION SELF-CENTERING



APPLICATIONS	
	SINGLE LAYER
	STRIPE
	SKIN
	FLAT CABLE

MAX CONDUCTOR: 5mm
 MAX OVER INSULATION: 7mm
 MAX TUBE DIE DIAMETER: 10mm



ELECTRICAL POWER HEAD BODY ZONE: 1000W
 ELECTRICAL POWER DIE AREA: 1000W

MOUNTS IN 3 POSITIONS

ITEM	DESCRIPTION
1	CARTRIDGE
2	HEAD BODY WITH H. CARTRIDGES
3	HOLDING RING PLATE
4	HOLDING NUT FOR RING
5	ADJUSTING DIE NUT
6	DIE
7	TIP
8	NEUTRAL RING
8-a	RING FOR STRIPE
8-b	RING FOR SKIN
9	POWER CONNECTOR



CROSSHEAD ECF-10/SE-XL

EUROTEK S.r.l.
 66034 LANCIANO (Ch)- Italy
 Phone:(+39) 0872 72581 FAX:(+39) 0872 711978
 www.eurotek-italy.it
 E-mail: info@eurotek-italy.it

