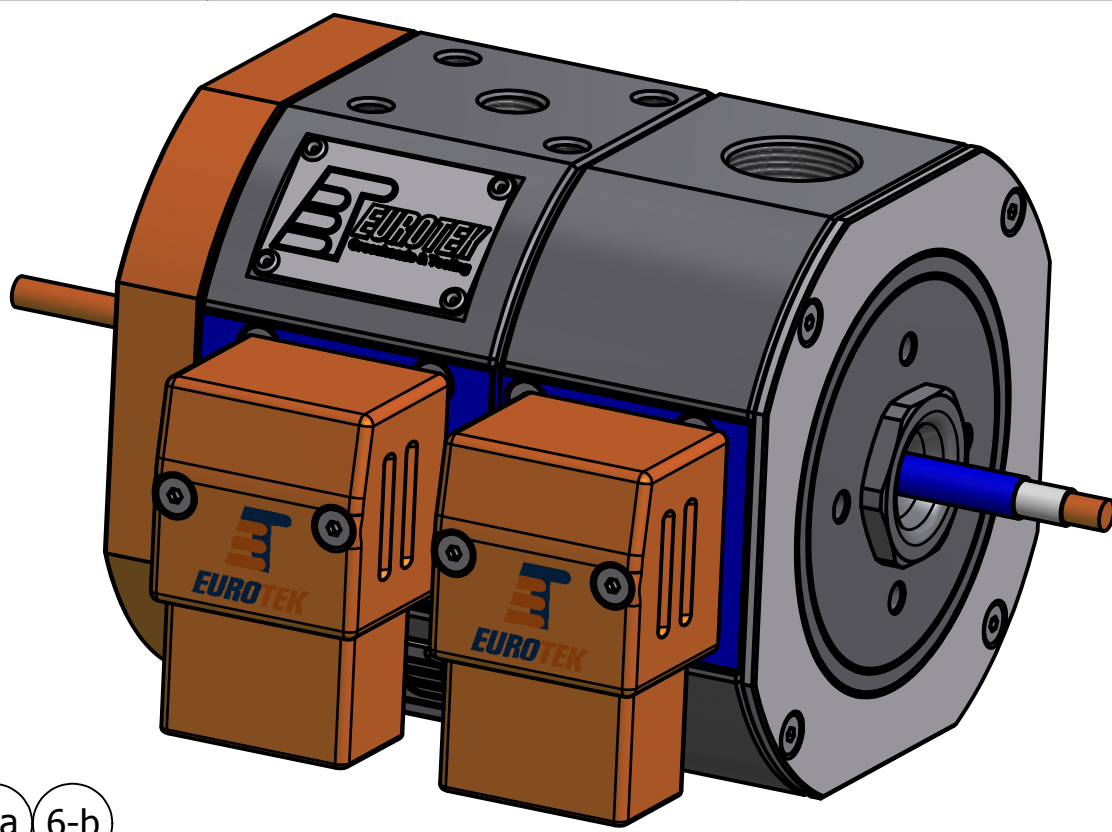
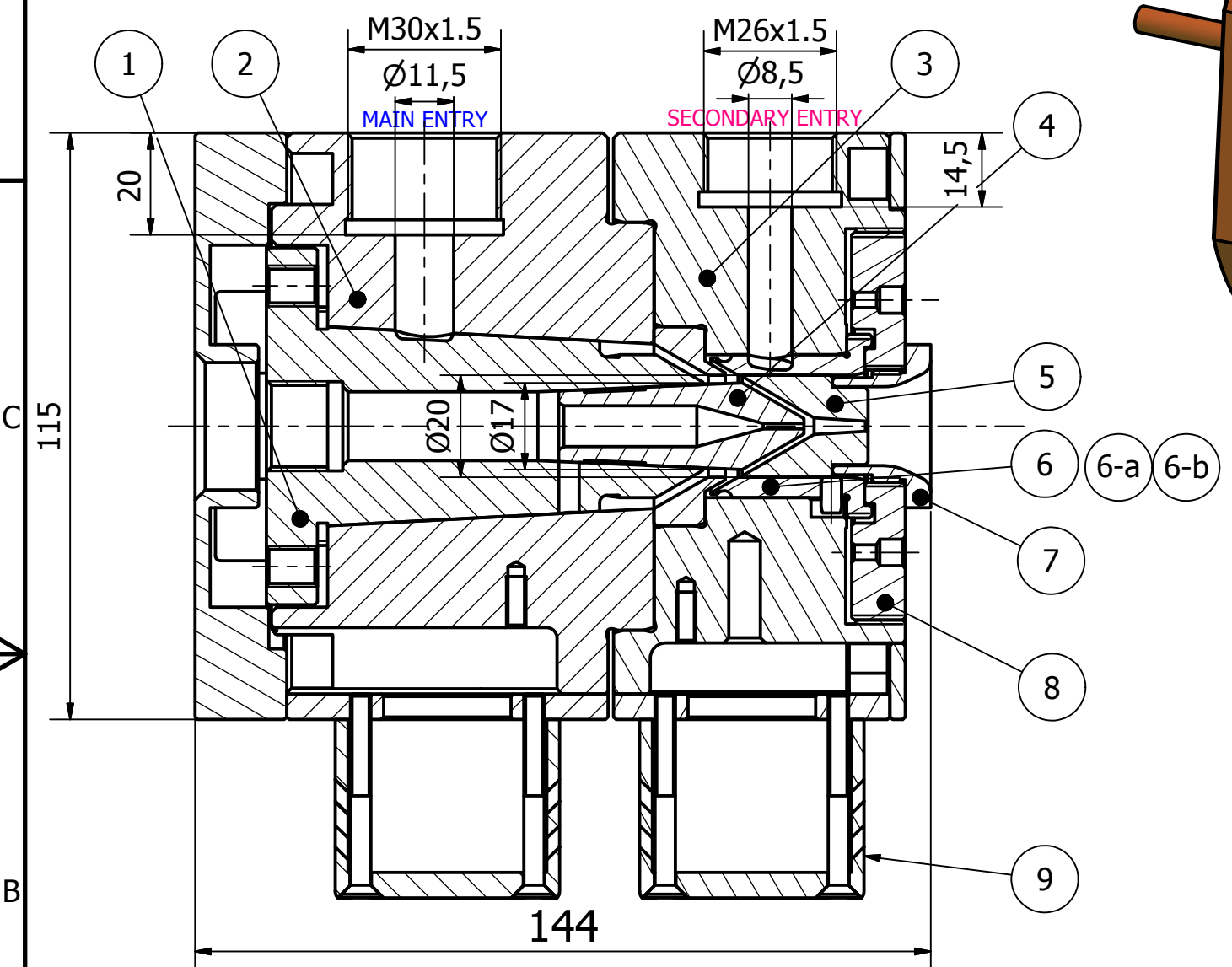


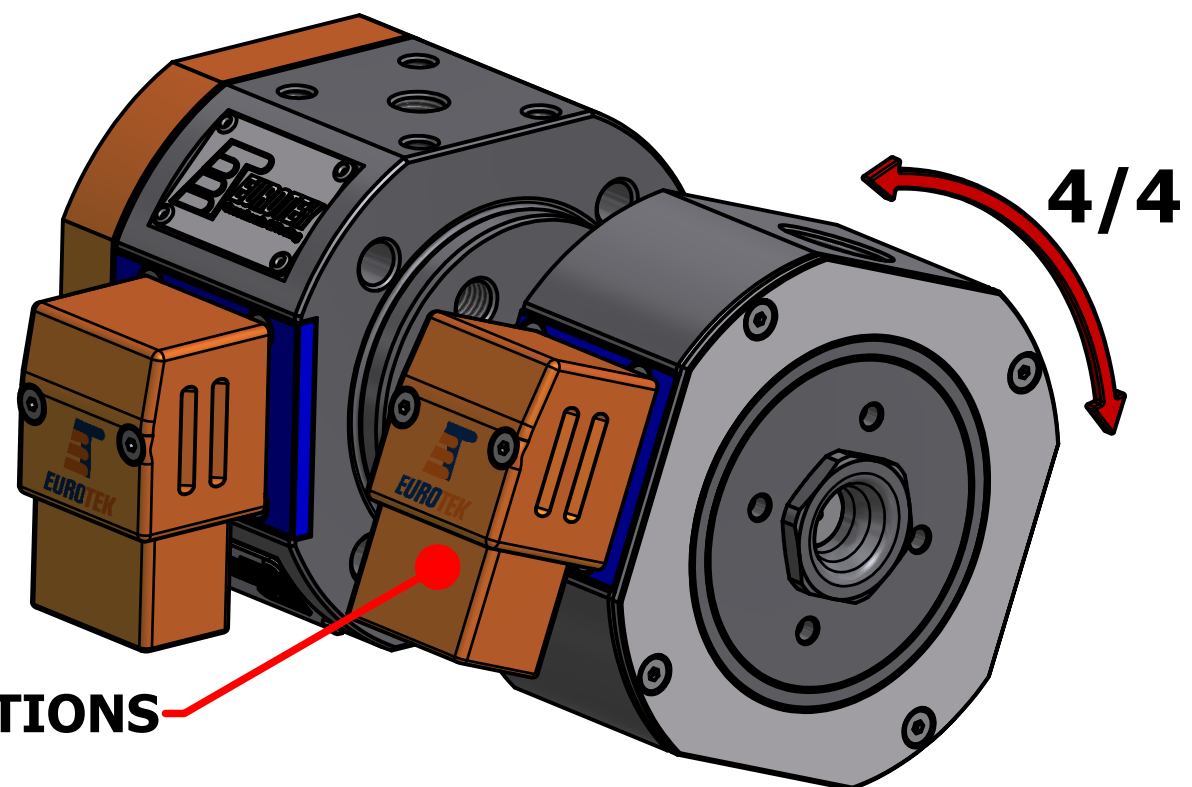
CROSSHEAD ECF-10/SE

COEXTRUSION SELF-CENTERING



APPLICATIONS	
	SINGLE LAYER
	STRIPE
	SKIN
	FLAT CABLE

MAX CONDUCTOR: 5mm
 MAX OVER INSULATION: 7mm
 MAX TUBE DIE DIAMETER: 10mm



MOUNTS IN 3 POSITIONS

ITEM	DESCRIPTION
1	CARTRIDGE
2	HEAD BODY WITH H. CARTRIDGES
3	HOLDING RING PLATE
4	TIP
5	DIE
6	NEUTRAL RING
6-a	RING FOR STRIPE
6-b	RING FOR SKIN
7	ADJUSTING DIE NUT
8	HOLDING NUT FOR RING
9	POWER CONNECTION

ELECTRICAL POWER HEAD BODY ZONE: 1000W
ELECTRICAL POWER DIE AREA: 1000W



CROSSHEAD ECF-10/SE

EUROTEK S.r.l.
 66034 LANCIANO (Ch)- Italy
 Phone:(+39) 0872 72581 FAX:(+39) 0872 711978
 www.eurotek-italy.it
 E-mail: info@eurotek-italy.it

