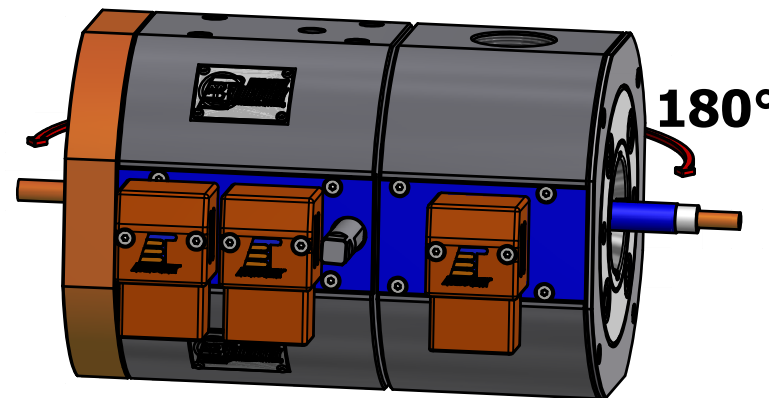
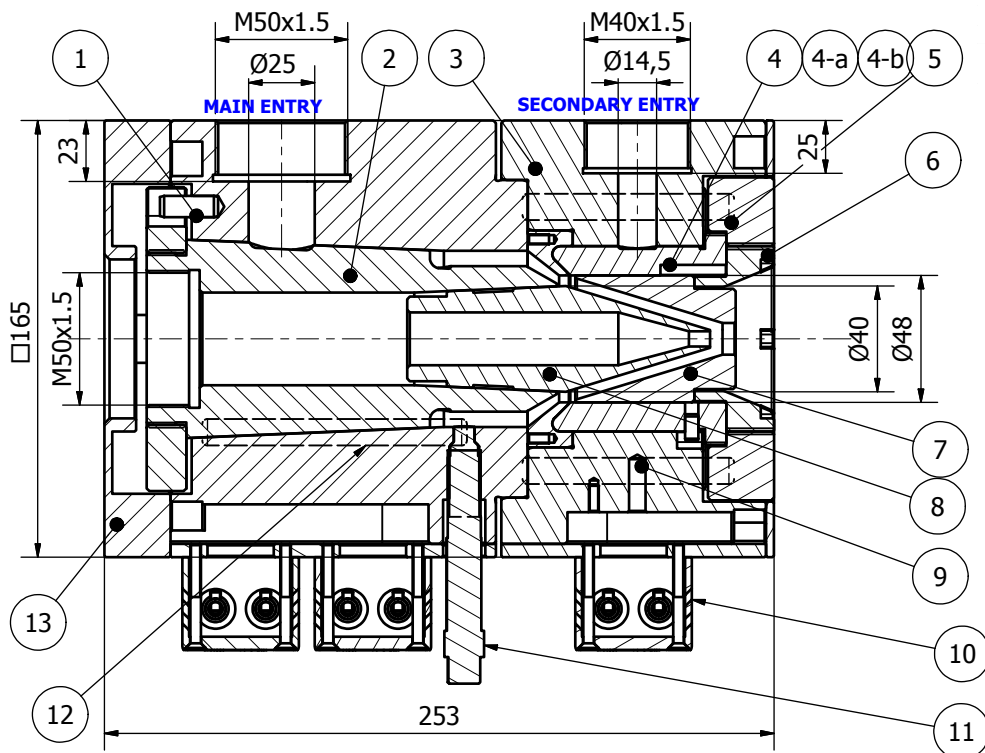


CROSSHEAD ECF-30/SE

COEXTRUSION SELF-CENTERING



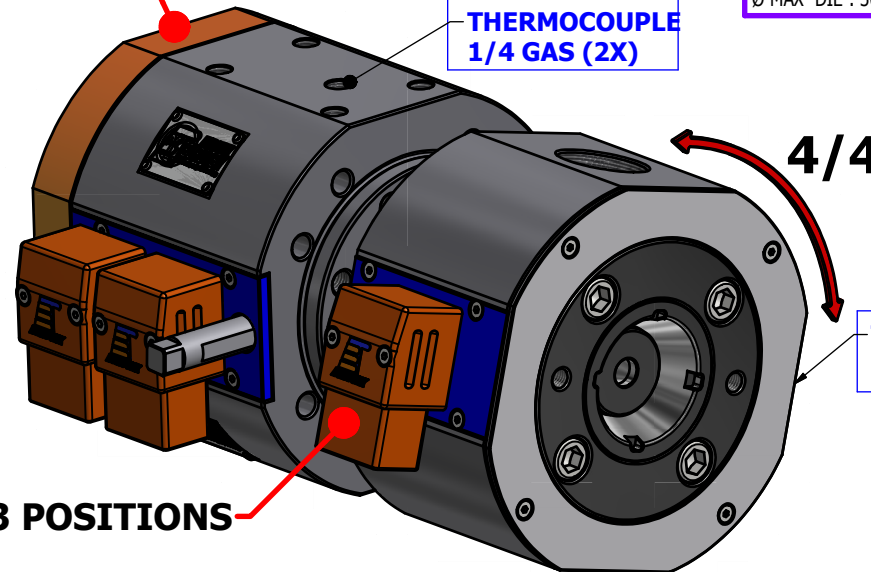
APPLICATIONS	
	SINGLE LAYER
	STRIPE
	SKIN
	FLAT CABLE

PRESSURE CONTROL / TEMPERATURE

Ø MAX CONDUCTOR: 20 mm

Ø MAX DIE : 30mm

THERMOCOUPLE
1/4 GAS (2X)



THERMOCOUPLE
1/4 GAS (2X)

MOUNTS IN 3 POSITIONS

ITEM	DESCRIPTION
1	HEAD BODY WITH H. CARTRIDGES
2	CARTRIDGE
3	HOLDING RING PLATE
4	NEUTRAL RING
4-a	RING FOR STRIPE
4-b	RING FOR SKIN
5	HOLDING NUT FOR RING
6	ADJUSTING DIE NUT
7	DIE
8	TIP
9	H. CARTRIDGES (8 x 220V 400W)
10	POWER CONNECTOR
11	DYNISCO CAP
12	H. CARTRIDGES (8 x 220V 400W)
13	REAR COVER

ELECTRICAL POWER HEAD BODY ZONE: 3200W
ELECTRICAL POWER DIE AREA: 3200W



CROSSHEAD ECF-30/SE

EUROTEK S.r.l.
66034 LANCIANO (Ch)- Italy
Phone:(+39) 0872 72581 FAX:(+39) 0872 711978
www.eurotek-italy.it
E-mail: info@eurotek-italy.it

