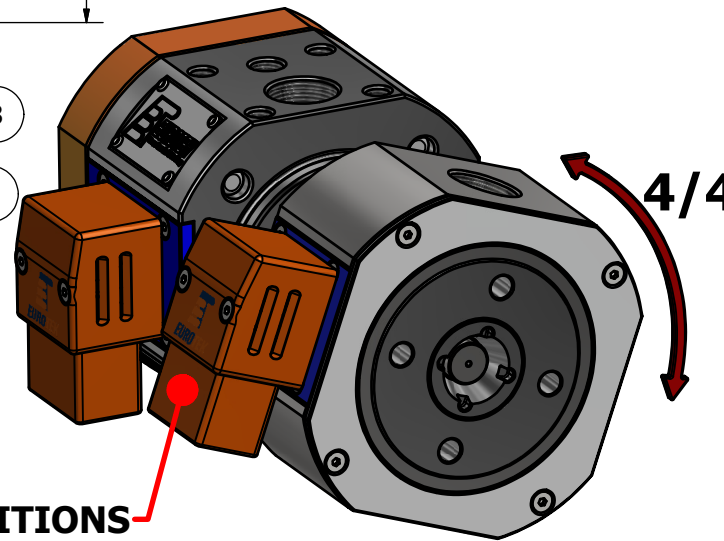
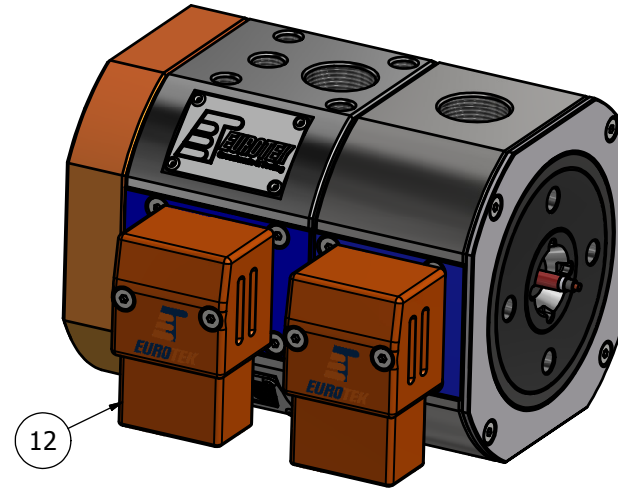
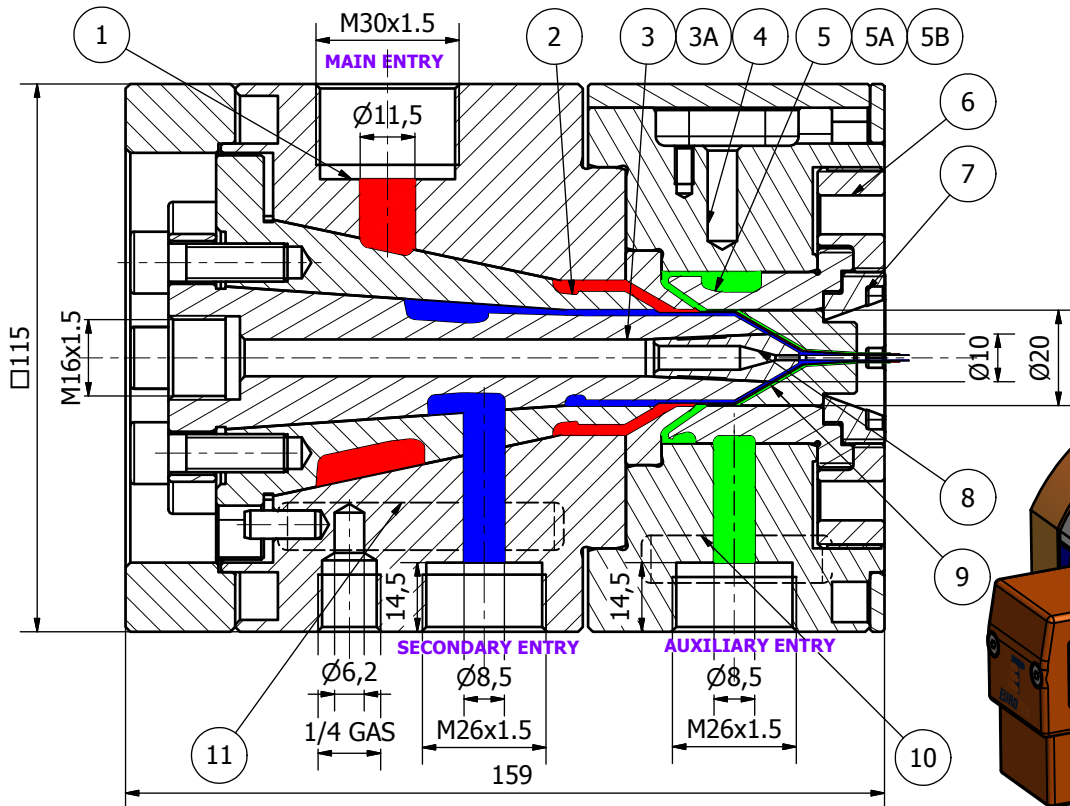


CROSSHEAD ECF-10/3S

COEXTRUSION SELF-CENTERING



APPLICATIONS	
	SINGLE LAYER
	STRIPE
	SKIN
	DOUBLE LAYER
	DOUBLE LAYER + STRIPE
	DOUBLE LAYER + SKIN
	SKIN/FOAM/SKIN

Ø MAX CONDUCTOR: 4mm
Ø MAX DIE: 10mm

ELECTRICAL POWER HEAD BODY ZONE: 1000W
ELECTRICAL POWER DIE AREA: 1000W

MOUNTS IN 3 POSITIONS

ITEM	DESCRIPTION
1	HEAD BODY
2	OUTER CARTRIDGE
3	INNER CARTRIDGE
3A	NEUTRAL INNER CARTRIDGE
4	HOLDING RING PLATE
5	NEUTRAL RING
5A	RING FOR STRIPE
5B	RING FOR SKIN
6	HOLDING NUT FOR RING
7	ADJUSTING DIE NUT
8	TIP
9	DIE
10	H. CARTRIDGES 220V 4x250W
11	H. CARTRIDGES 220V 4x250W
12	POWER CONNECTOR



CROSSHEAD ECF-10/3S

EUROTEK S.r.l.
66034 LANCIANO (Ch)- Italy
Phone:(+39) 0872 72581 FAX:(+39) 0872 711978
www.eurotek-italy.it
E-mail: info@eurotek-italy.it

