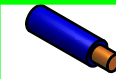


ECF10-S/LB-CH (FLUOROPOLYMERS)

APPLICATIONS



SINGLE LAYER



STRIP

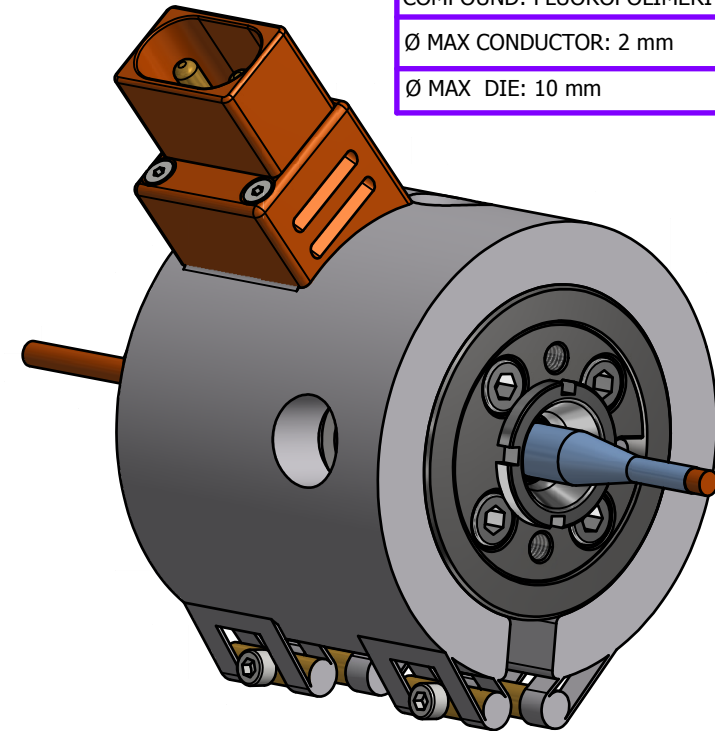
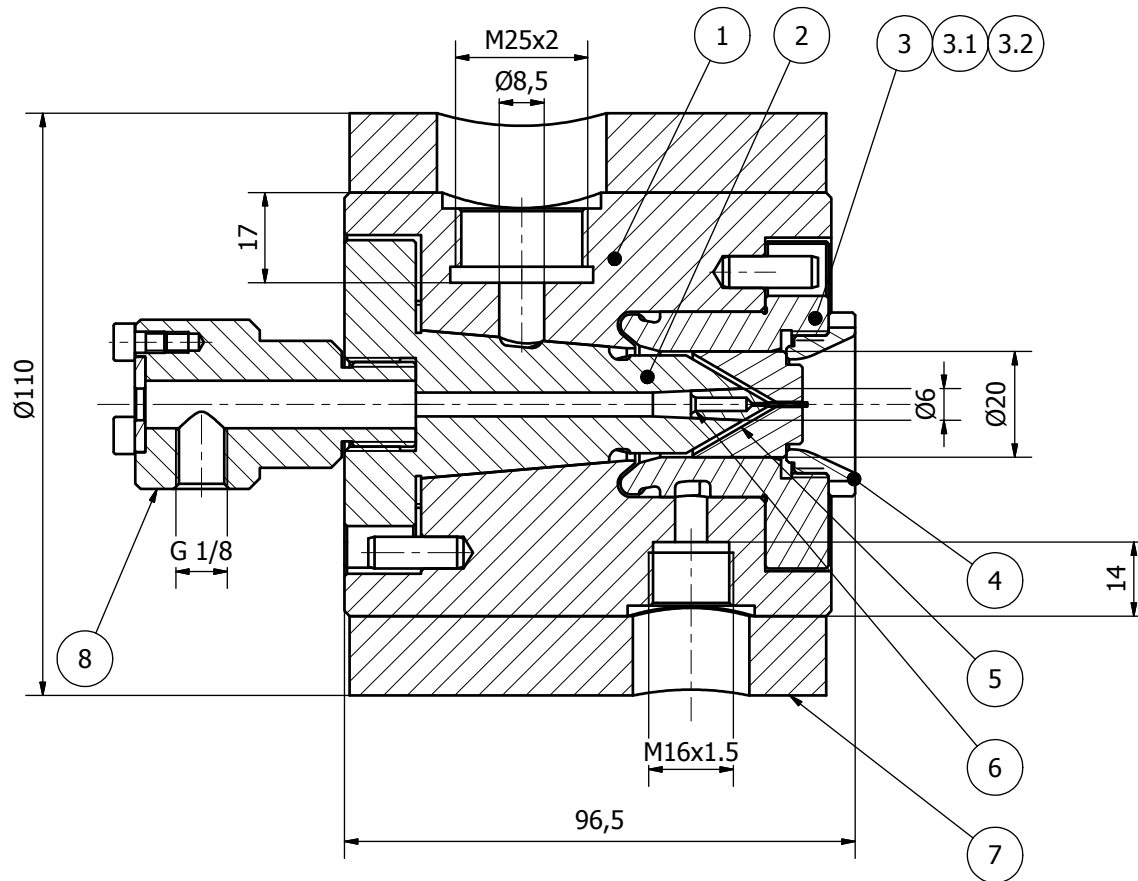


SKIN

COMPOUND: FLUOROPOLIMERI-FEP-PFA

Ø MAX CONDUCTOR: 2 mm

Ø MAX DIE: 10 mm



ELECTRICAL POWER : 1000W

ITEM	DESCRIPTION
1	HEAD BODY
2	CARTRIDGE
3	RING FOR SKIN 100%
3.1	RING FOR STRIPE
3.2	NEUTRAL RING
4	ADJUSTING DIE NUT
5	DIE
6	TIP
7	HEATER 220V 1000W
8	VACUUM PLUG



ECF10-S/LB-CH (FLUOROPOLYMERS)

EUROTEK S.r.l.
 66034 LANCIANO (Ch) - Italy
 Phone: (+39) 0872 72581 FAX: (+39) 0872 711978
www.eurotek-italy.it
 E-mail: info@eurotek-italy.it

