
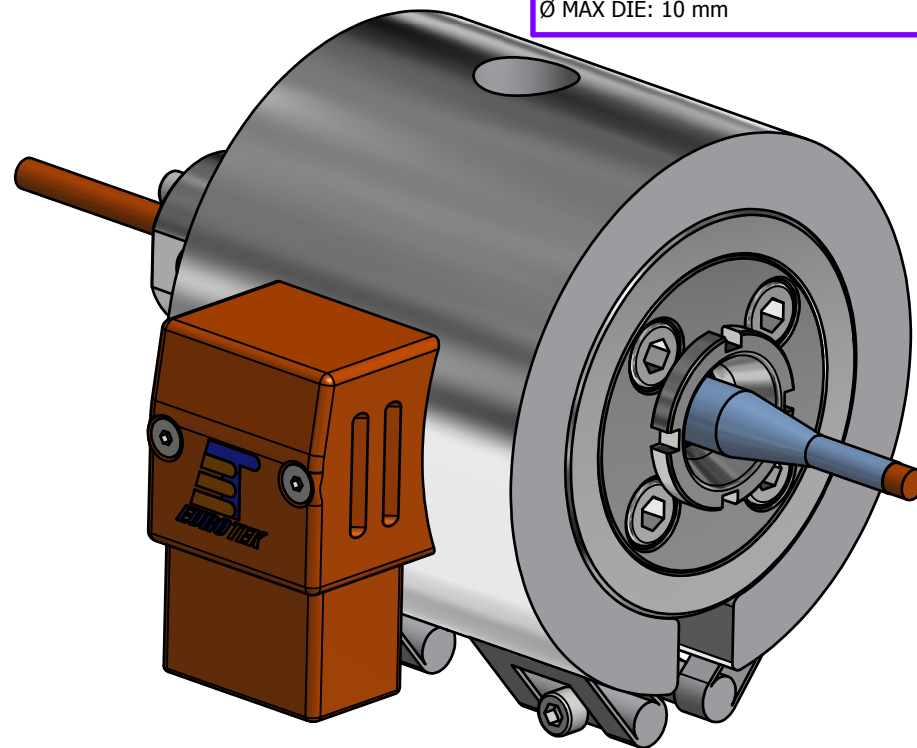
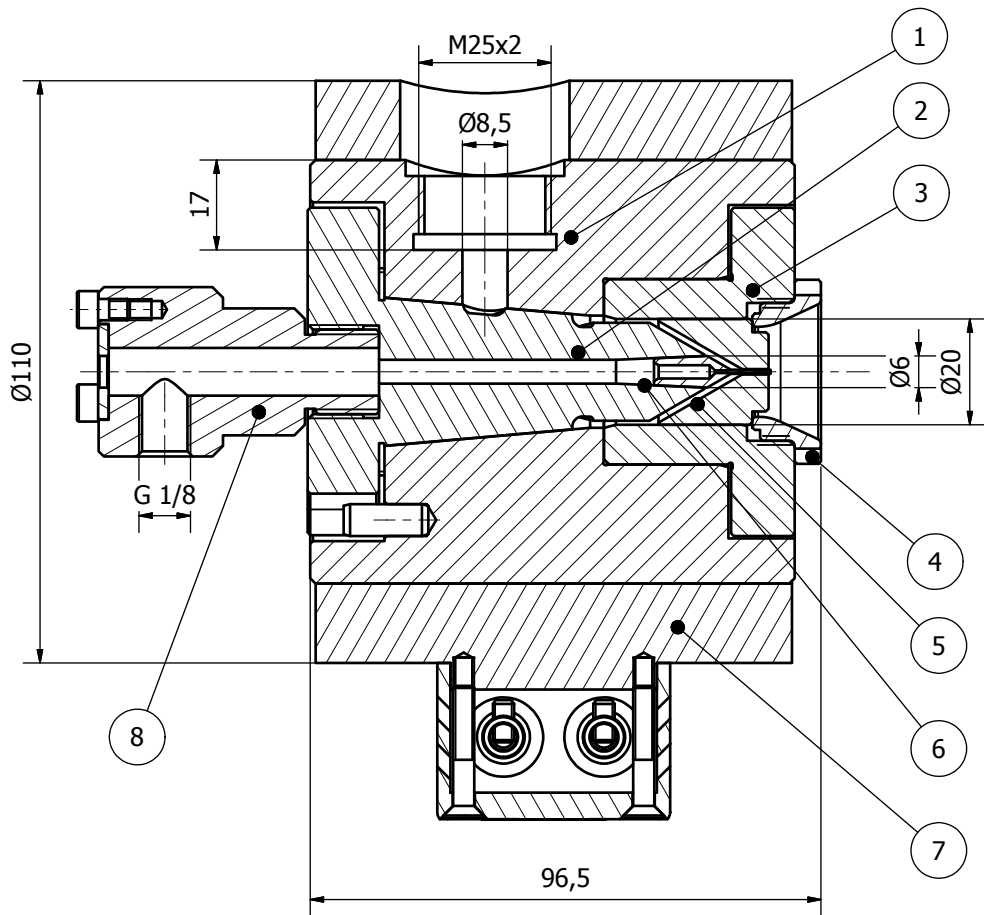


ECF10-S/LB-MH (FLUOROPOLYMERS)

APPLICATION	
	SINGLE LAYER

COMPOUND: FLUOROPOLYMERS-FEP-PFA
Ø MAX CONDUCTOR: 2 mm
Ø MAX DIE: 10 mm



ITEM	DESCRIPTION
1	HEAD BODY
2	CARTRIDGE
3	HOLDING DIE
4	ADJUSTING DIE NUT
5	DIE
6	TIP
7	HEATER
8	VACUUM PLUG

ELECTRICAL POWER: 1000W



ECF10-S/LB-MH (FLUOROPOLYMERS)

EUROTEK S.r.l.
 66034 LANCIANO (Ch)- Italy
 Phone:(+39) 0872 72581 FAX:(+39) 0872 711978
www.eurotek-italy.it
 E-mail: info@eurotek-italy.it

