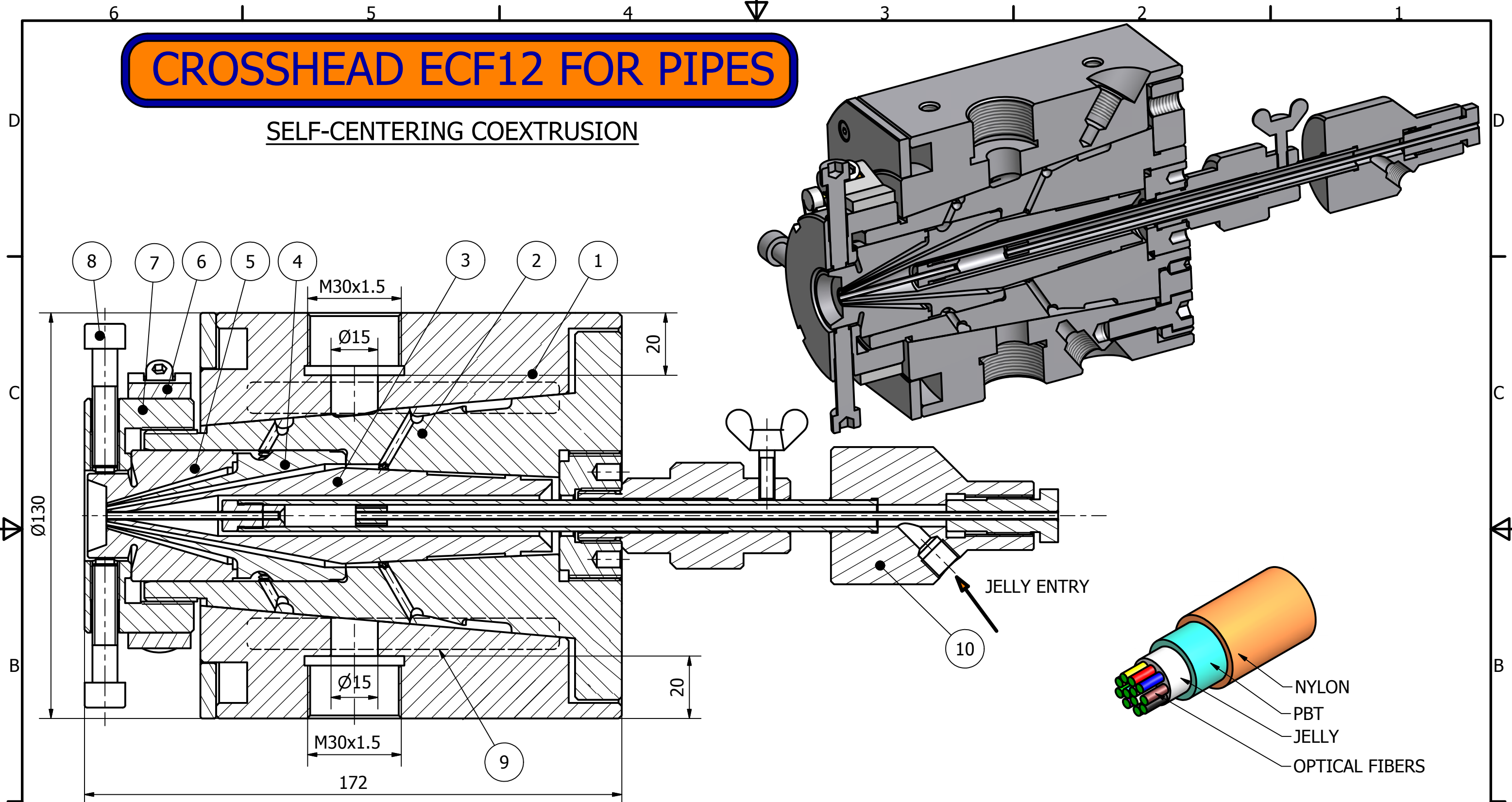
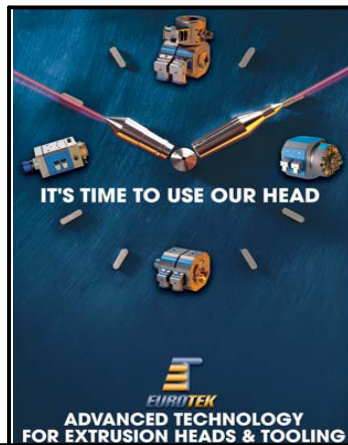


CROSSHEAD ECF12 FOR PIPES

SELF-CENTERING COEXTRUSION



ITEM	DESCRIPTION
1	HEAD BODY
2	CARTRIDGE
3	TIP
4	INTERMEDIATE DIE
5	BOTTOM DIE
6	HEATER 200W
7	ADJUSTING DIE NUT
8	CENTERING SCREW
9	HEATER 1000W
10	JELLY INJECTOR



CROSSHEAD ECF12 FOR PIPES (OPTICAL FIBERS)

EUROTEK S.r.l.
 66034 LANCIANO (Ch)- Italy
 Phone:(+39) 0872 72581 FAX:(+39) 0872 711978
www.eurotek-italy.it
 E-mail: info@eurotek-italy.it

