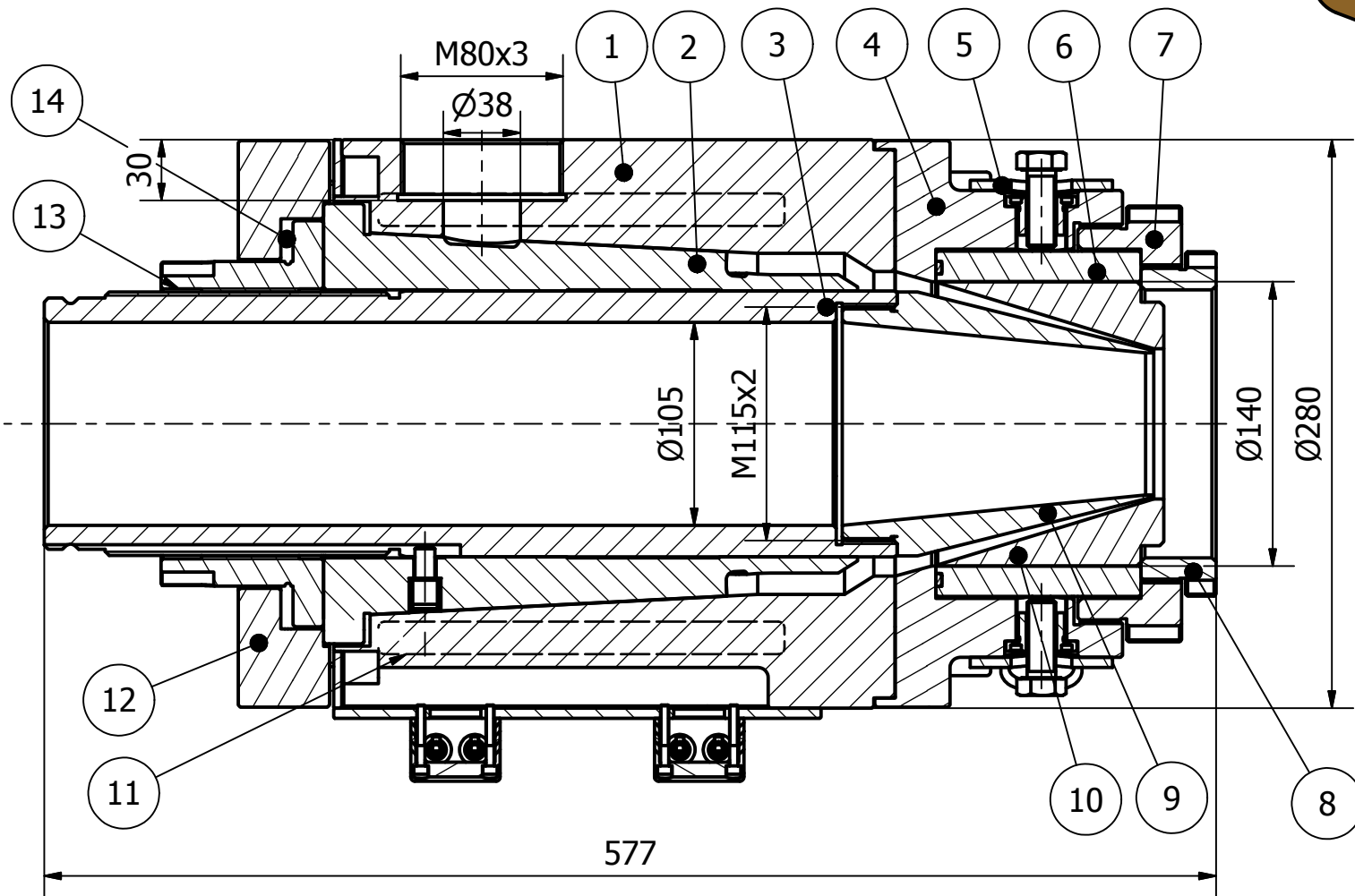
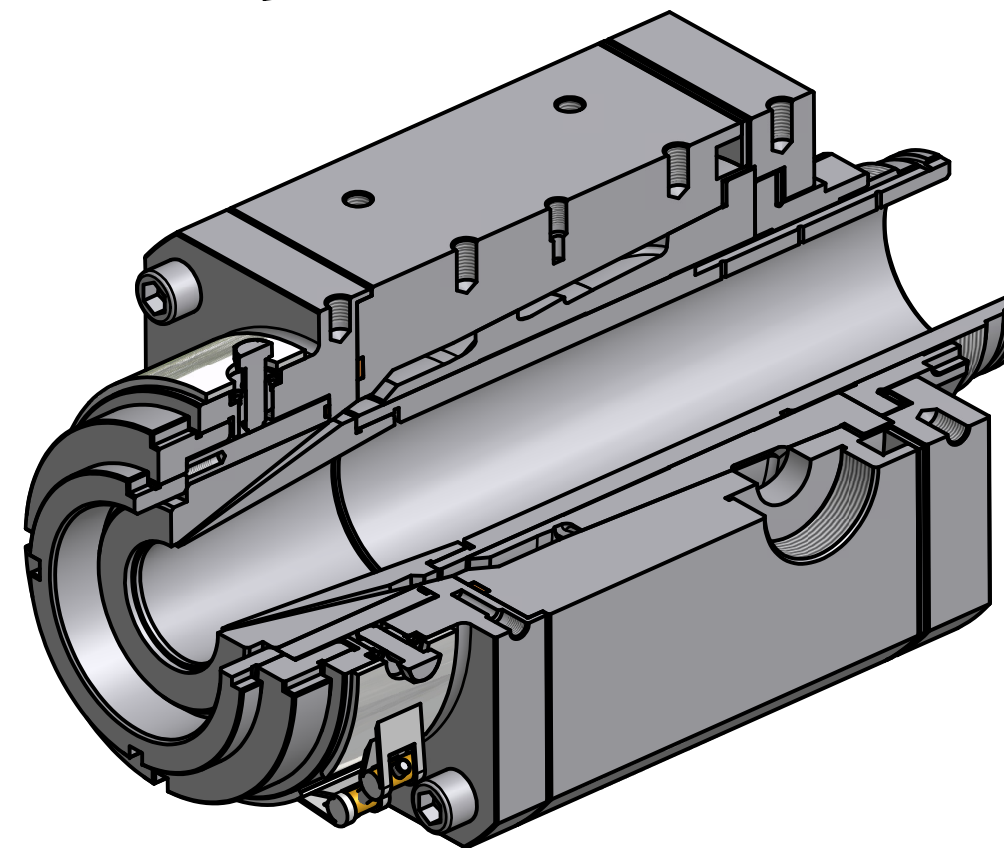
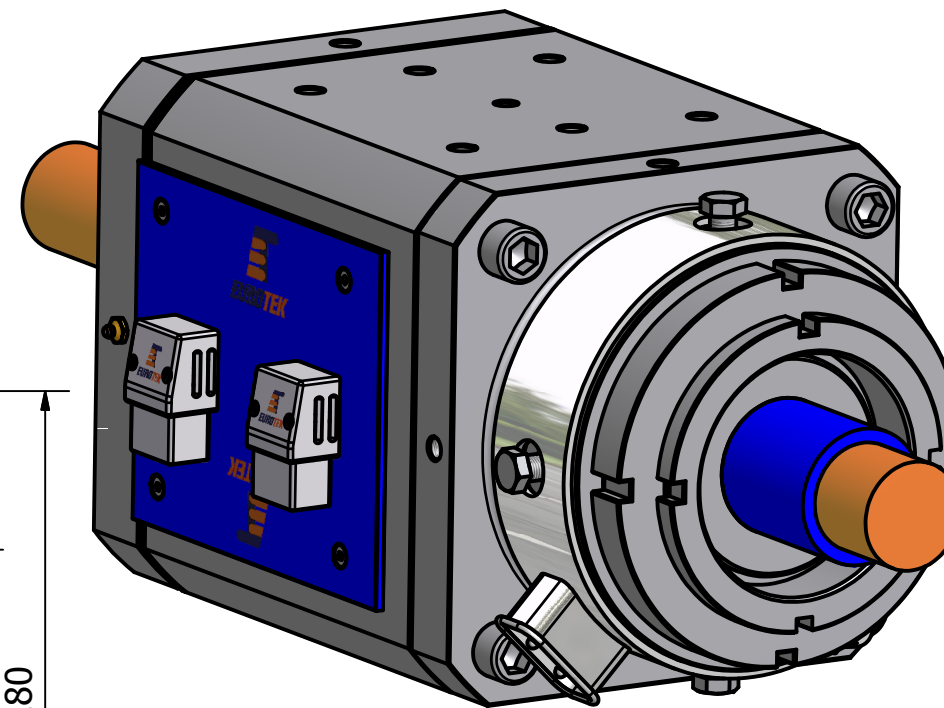


CROSSHEAD ECM100-M

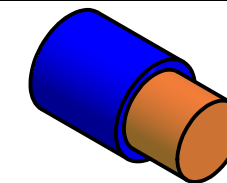
MANUAL- CENTERING FOR SINGLE LAYER



ITEM	DESCRIPTION
1	HEAD BODY
2	CARTRIDGE
3	HOLDING WIRE GUIDE
4	FRONT PLATE
5	HEATER 1000W
6	HOLDING DIE FOR MANUAL CENTERING
7	HOLDING NUT FOR HOLDING-DIE
8	ADJUSTING DIE NUT
9	TIP
10	DIE
11	HEATER 6400W
12	THRUST BEARING PLATE
13	ADJUSTING NUT FOR HOLDING WIRE GUIDE
14	BALL BEARING

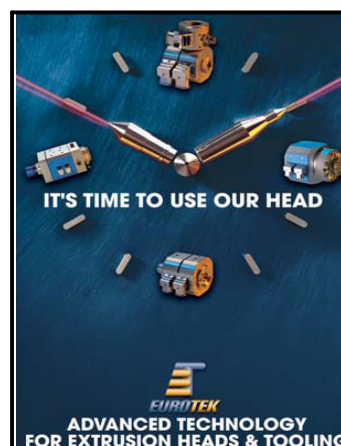


APPLICATIONS



SINGLE LAYER

MAX CONDUCTOR: 100mm
 MAX OVER INSULATION: 105mm
 MAX PASSAGE DIE: 110mm



CROSSHEAD ECM100-M

EUROTEK S.r.l. C.da Villa Andreoli,215/A
 66034 LANCIANO (Ch)- Italy
 Phone:(+39) 0872 72581 FAX:(+39) 0872 711978
 www.eurotek-italy.it
 E-mail: info@eurotek-italy.it

