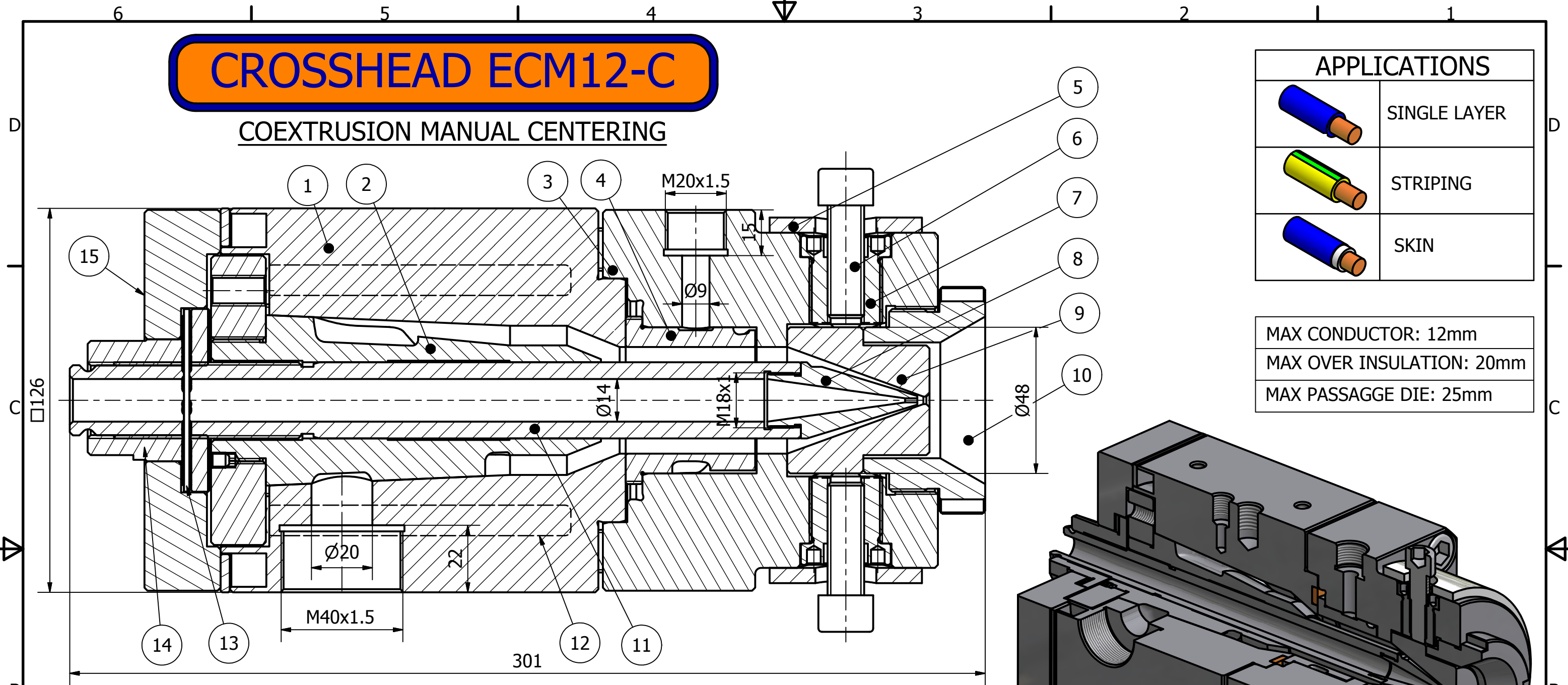


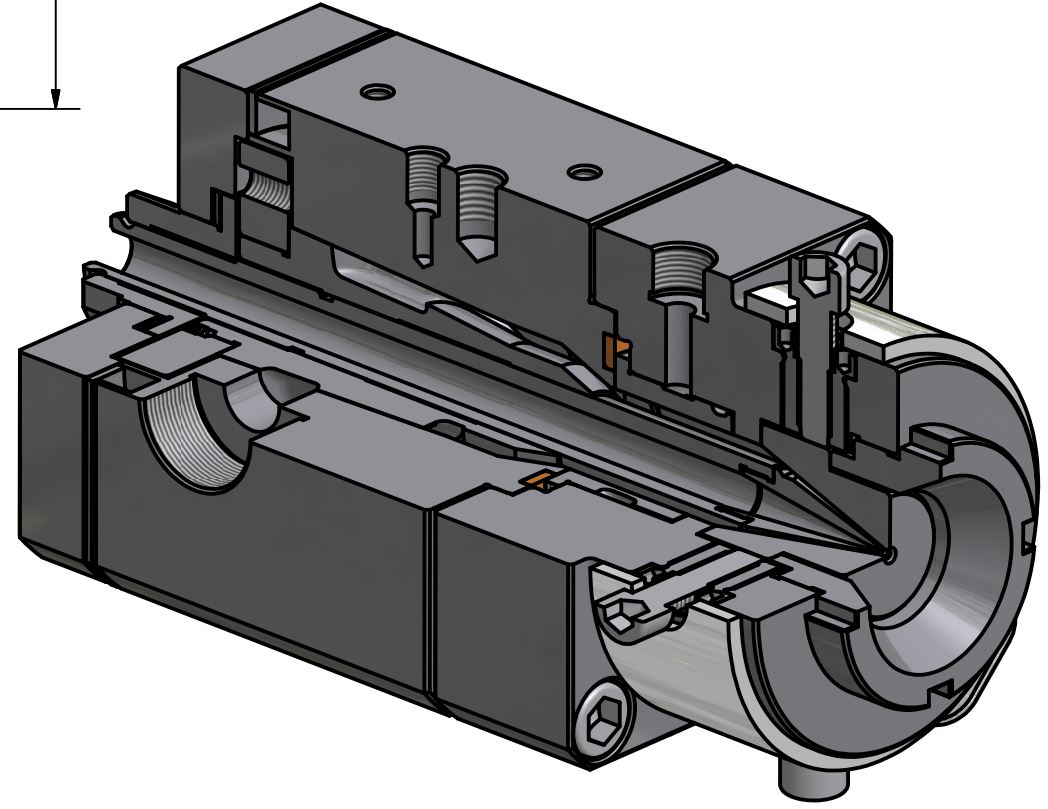
CROSSHEAD ECM12-C

COEXTRUSION MANUAL CENTERING

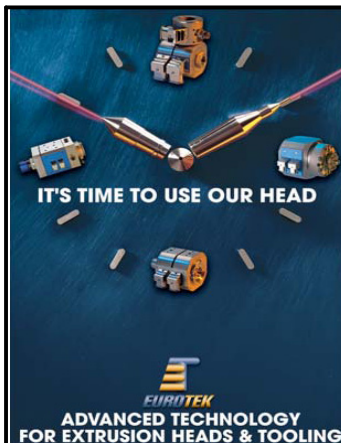


APPLICATIONS	
	SINGLE LAYER
	STRIPING
	SKIN

MAX CONDUCTOR: 12mm
MAX OVER INSULATION: 20mm
MAX PASSAGGE DIE: 25mm



ITEM	DESCRIPTION
1	HEAD BODY
2	CARTRIDGE
3	FRONT PLATE
4	NEUTRAL RING
4-a	RING FOR SKIN
4-b	RING FOR STRIPE
5	HEATER
6	CENTERING SCREW
7	BUSHES
8	TIP
9	DIE
10	ADJUSTING DIE NUT
11	HOLDING WIRE GUIDE
12	H. CARTRIDGES
13	BALL BEARING
14	ADJUSTING NUT FOR HOLDING WIRE GUIDE
15	THRUST BEARING PLATE



CROSSHEAD ECM12-C

EUROTEK S.r.l.
 66034 LANCIANO (Ch)- Italy
 Phone:(+39) 0872 72581 FAX:(+39) 0872 711978
www.eurotek-italy.it
 E-mail: info@eurotek-italy.it

