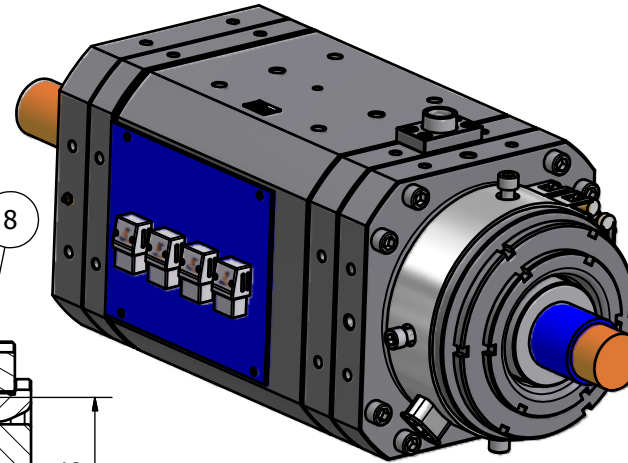
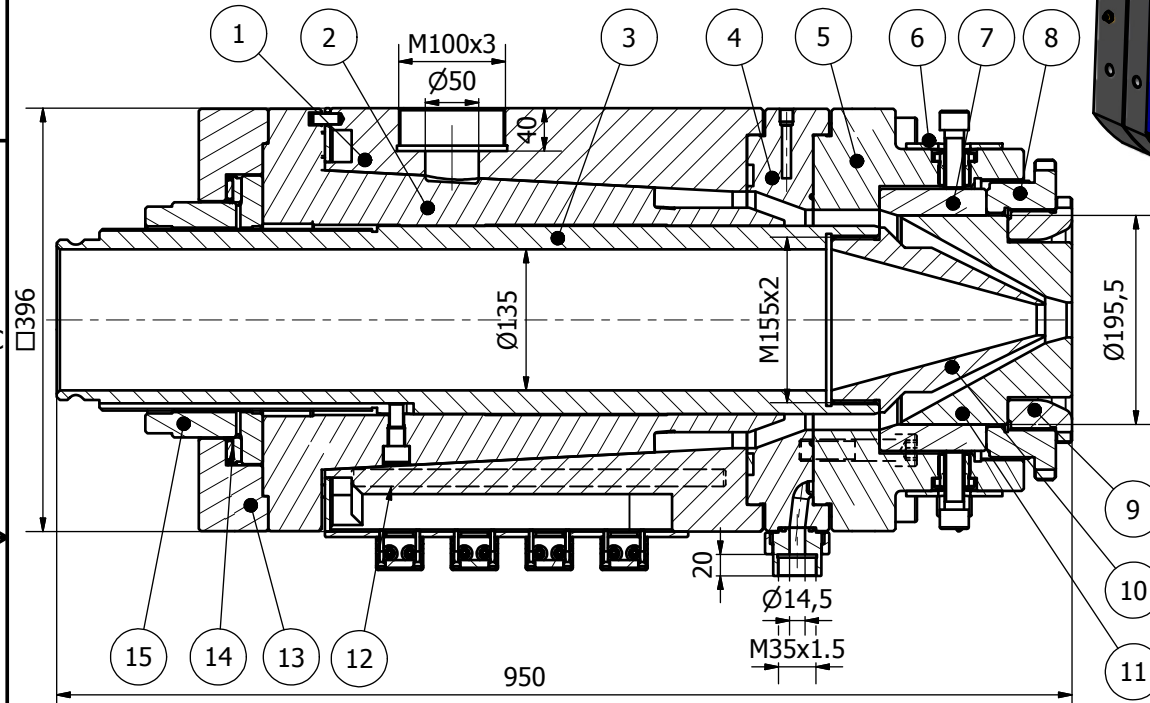
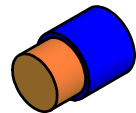

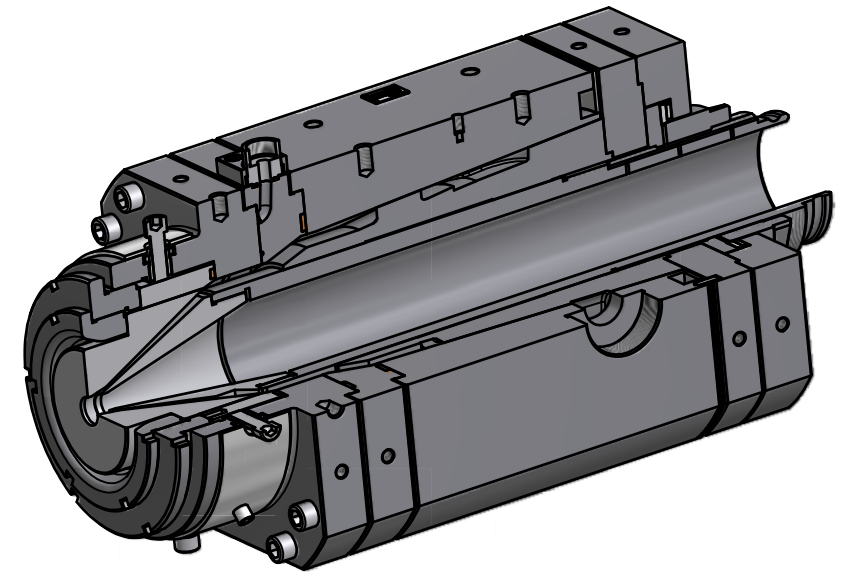


# CROSSHEAD ECM130-C

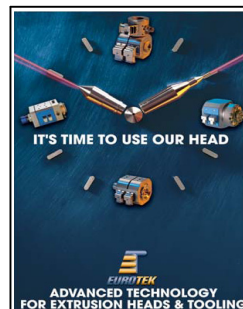
MANUAL - CENTERING COEXTRUSION



APPLICATIONS	
	SINGLE LAYER
	STRIPE
MAX CONDUCTOR: 130mm	
MAX OVER INSULATION: 135mm	
MAX DIE DIAMETER: 140mm	



ITEM	DESCRIPTION
1	HEAD BODY
2	CARTRIDGE
3	HOLDING WIRE GUIDE
4	PLATE FOR STRIPE
5	FRONT PLATE
6	HEATER 2000W
7	HOLDING DIE FOR MANUAL CENTERING
8	HOLDING DIE NUT
9	ADJUSTING DIE NUT
10	TIP
11	DIE
12	HEATER
13	THRUST BEARING PLATE
14	BALL BEARING
15	NUT FOR HOLDING WIRE-GUIDE



## CROSSHEAD ECM130-C

EUROTEK S.r.l.  
 66034 LANCIANO (Ch)- Italy  
 Phone:(+39) 0872 72581 FAX:(+39) 0872 711978  
 www.eurotek-italy.it  
 E-mail: info@eurotek-italy.it

