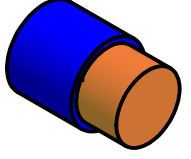
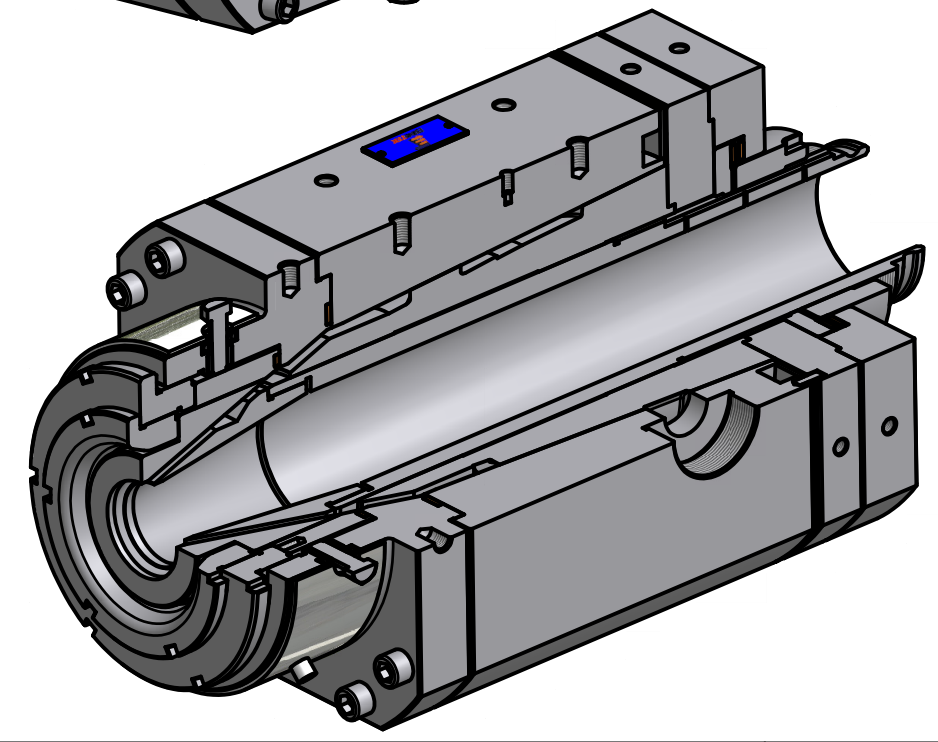
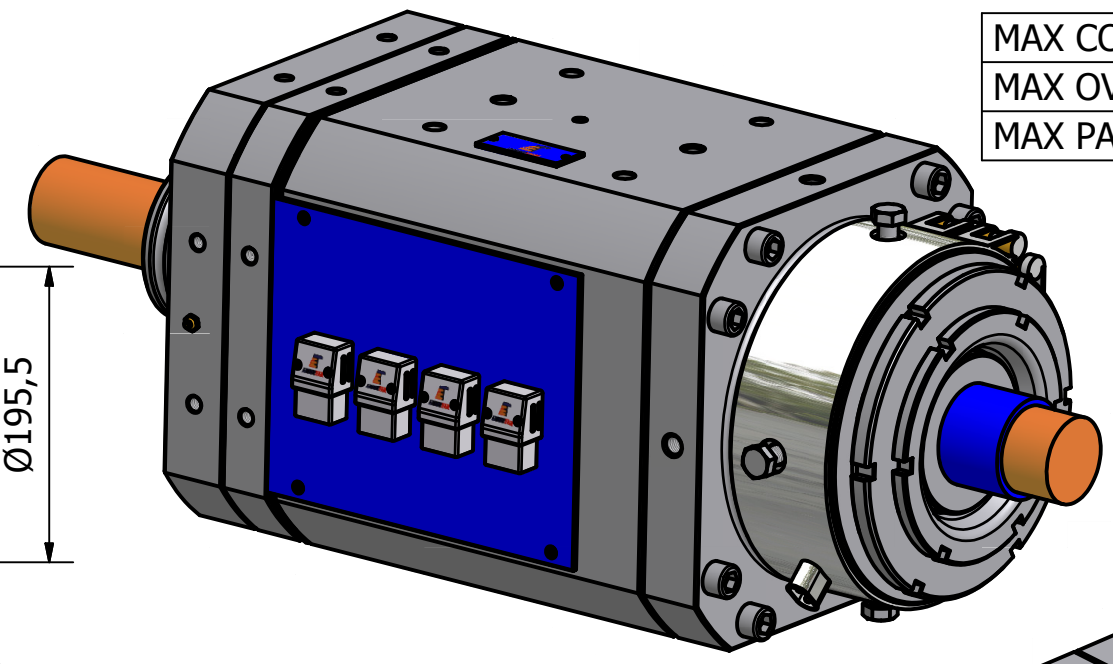
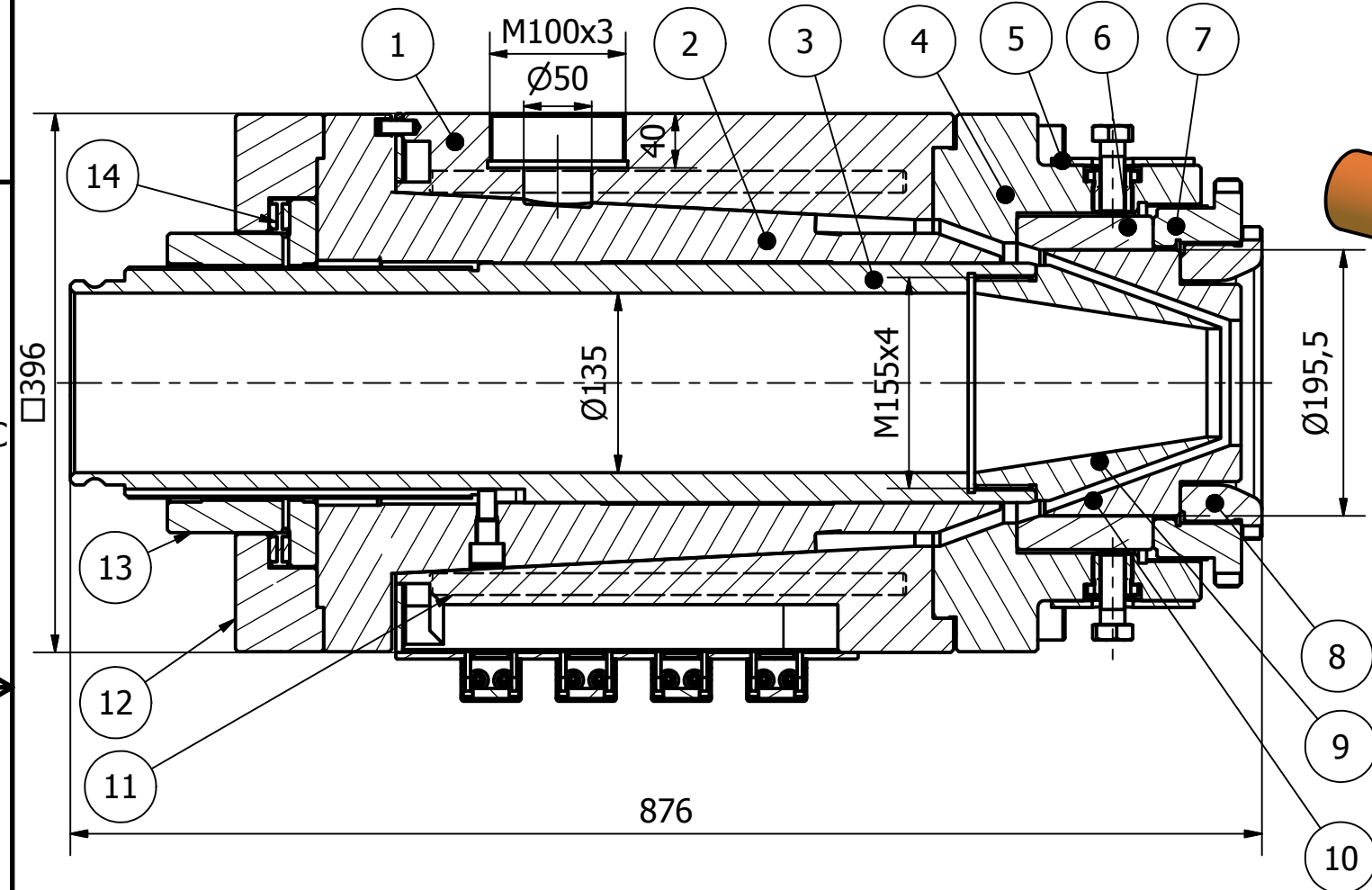


CROSSHEAD ECM130-M

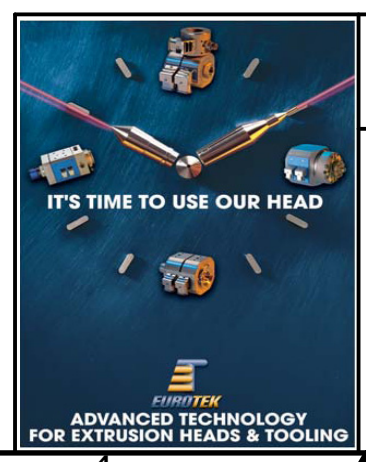
MANUAL-CENTERING FOR SINGLE LAYER

APPLICATIONS	
	SINGLE LAYER

MAX CONDUCTOR: 130mm
MAX OVER INSULATION: 135mm
MAX PASSAGE DIE: 140mm



ITEM	DESCRIPTION
1	HEAD BODY
2	CARTRIDGE
3	HOLDING WIRE GUIDE
4	FRONT PLATE
5	HEATER 3000W
6	HOLDING DIE FOR MANUAL CENTERING
7	HOLDING NUT FOR HOLDING-DIE
8	ADJUSTING DIE NUT
9	TIP
10	DIE
11	H. CARTRIDGES 12800W
12	THRUST BEARING PLATE
13	NUT FOR HOLDING WIRE GUIDE
14	BALL BEARING



CROSSHEAD ECM130-M

EUROTEK S.r.l. C.da Villa Andreoli,215/A
 66034 LANCIANO (Ch)- Italy
 Phone:(+39) 0872 72581 FAX:(+39) 0872 711978
www.eurotek-italy.it
 E-mail: info@eurotek-italy.it

