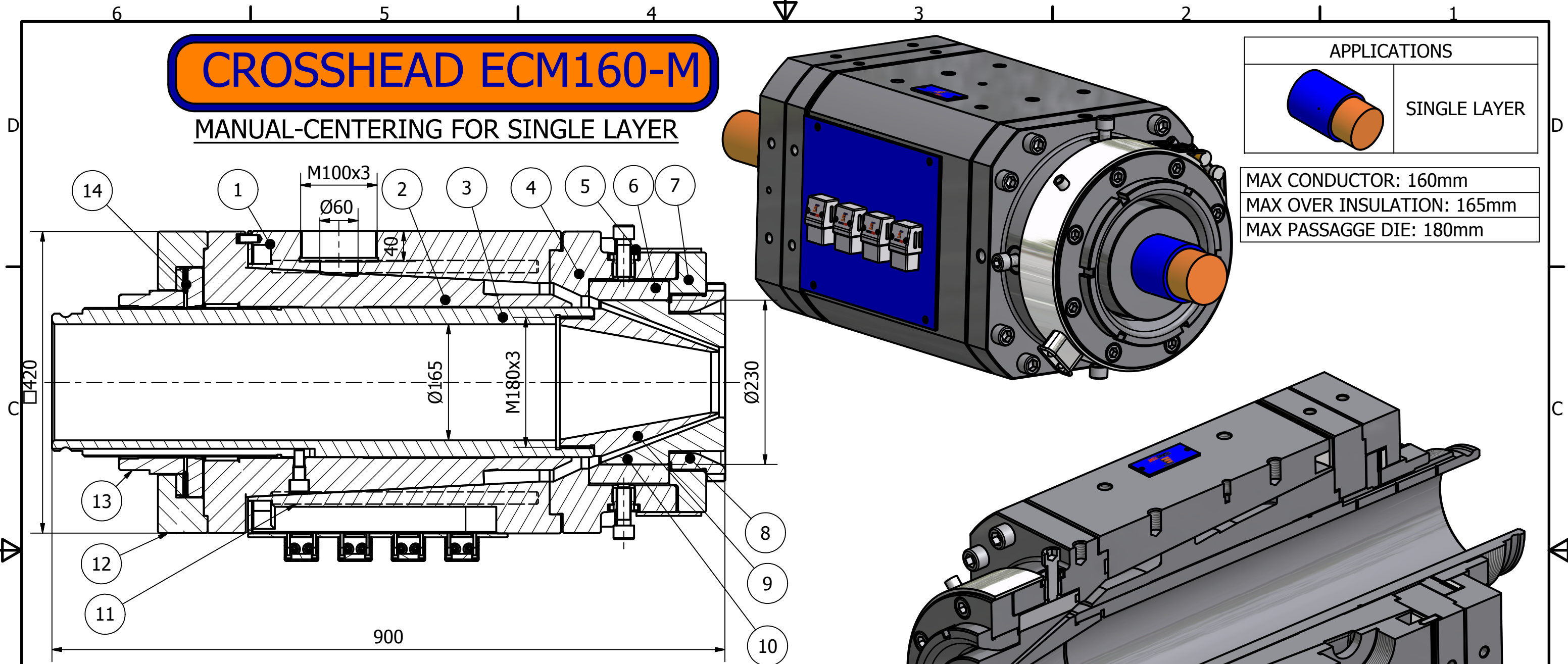
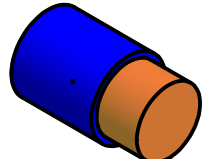


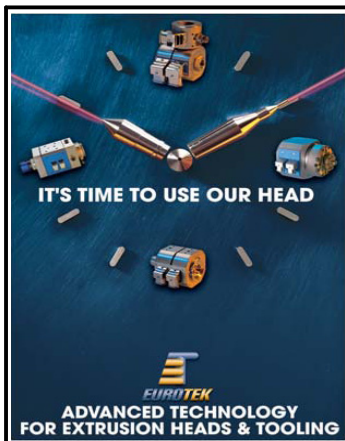
# CROSSHEAD ECM160-M

MANUAL-CENTERING FOR SINGLE LAYER



APPLICATIONS	
	SINGLE LAYER
MAX CONDUCTOR: 160mm	
MAX OVER INSULATION: 165mm	
MAX PASSAGGE DIE: 180mm	

ITEM	DESCRIPTION
1	HEAD BODY
2	CARTRIDGE
3	HOLDING WIRE GUIDE
4	FRONT PLATE
5	HEATER 2000W
6	HOLDING DIE FOR MANUAL CENTERING
7	HOLDING NUT FOR HOLDING DIE
8	ADJUSTING DIE NUT
9	TIP
10	DIE
11	HEATER 12800W
12	THRUST BEARING PLATE
13	ADJUSTING DIE FOR HOLDING WIRE GUIDE
14	BALL BEARING



## CROSSHEAD ECM160-M

EUROTEK S.r.l.  
 66034 LANCIANO (Ch)- Italy  
 Phone:(+39) 0872 72581 FAX:(+39) 0872 711978  
[www.eurotek-italy.it](http://www.eurotek-italy.it)  
 E-mail: [info@eurotek-italy.it](mailto:info@eurotek-italy.it)

