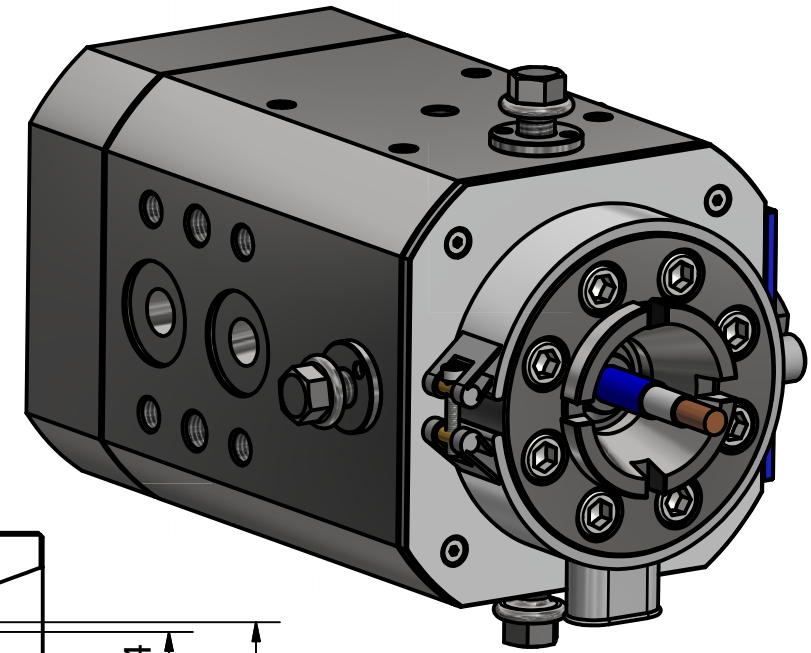
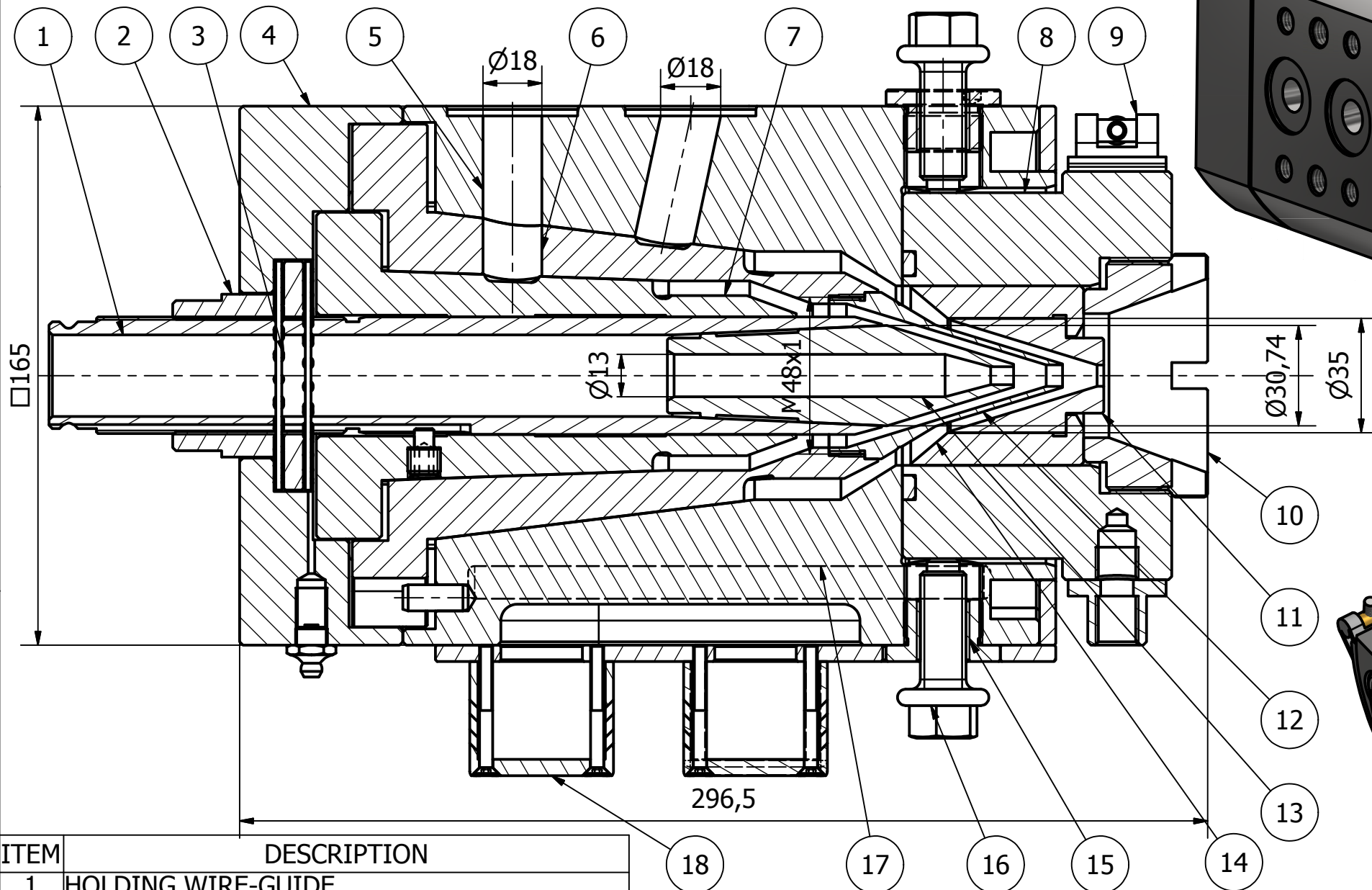
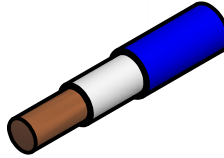


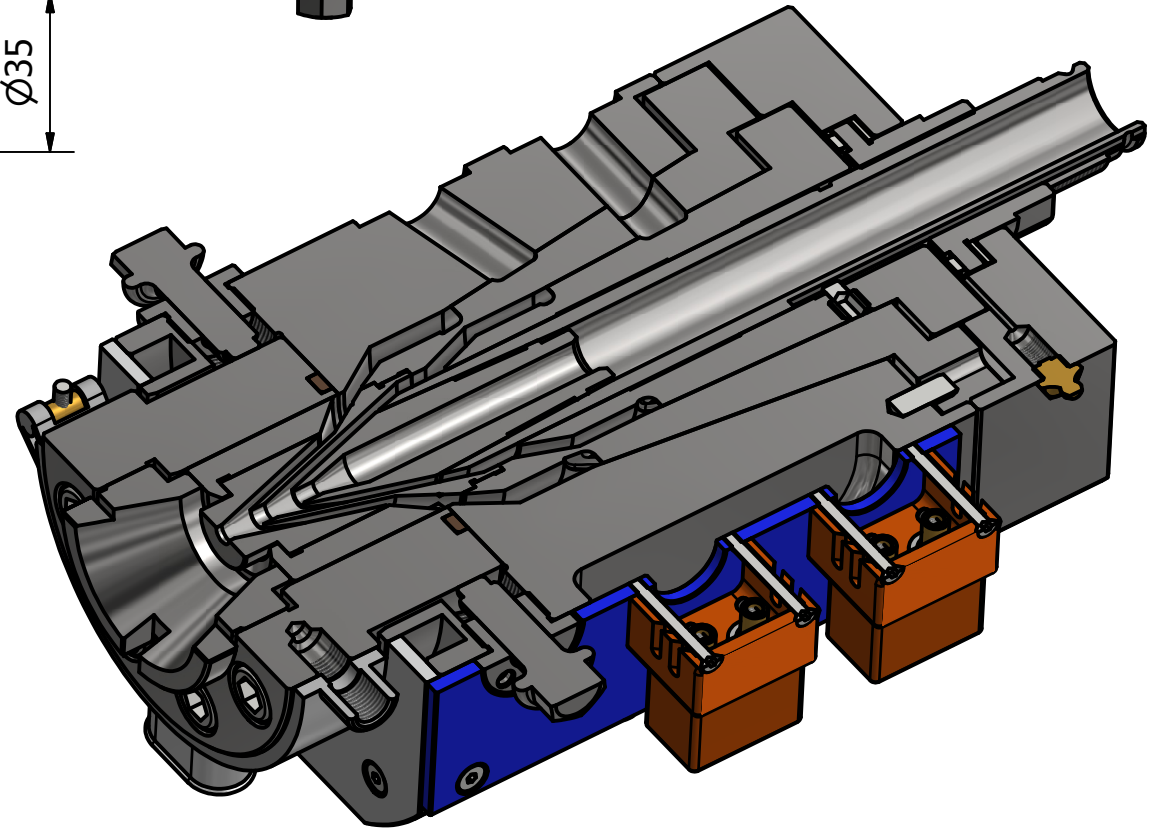
CROSSHEAD ECM20/DS

MANUAL CENTERING DOUBLE LAYER



APPLICATION	
	DOUBLE LAYER

MAX CONDUCTOR: 12mm
MAX OVER INSULATION: 16mm
MAX PASSAGE DIE: 20mm



ITEM	DESCRIPTION
1	HOLDING WIRE-GUIDE
2	ADJUSTING NUT FOR HOLDING WIRE-GUIDE
3	BALL BEARING
4	THRUST BEARING PLATE
5	HEAD BODY
6	OUTER CARTRIDGE
7	INNER CARTRIDGE
8	HOLDING DIE FOR MANUAL CENTERING
9	HEATER 220V 300W
10	ADJUSTING DIE NUT
11	BOTTOM DIE
12	INTERMEDIATE DIE
13	TIP
14	ADAPTOR
15	BUSHES
16	CENTERING SCREW
17	H. CARTRIDGES 220V 630W
18	POWER CONNECTOR

ELECTRICAL POWER HEAD BODY ZONE: 5040W
ELECTRICAL POWER DIE AREA: 300W



CROSSHEAD ECM20/DS

EUROTEK S.r.l.
 66034 LANCIANO (Ch)- Italy
 Phone:(+39) 0872 72581 FAX:(+39) 0872 711978
 www.eurotek-italy.it
 E-mail: info@eurotek-italy.it

