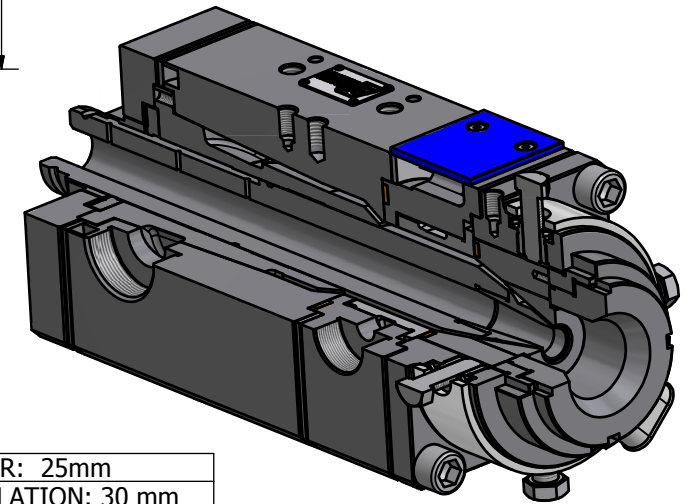
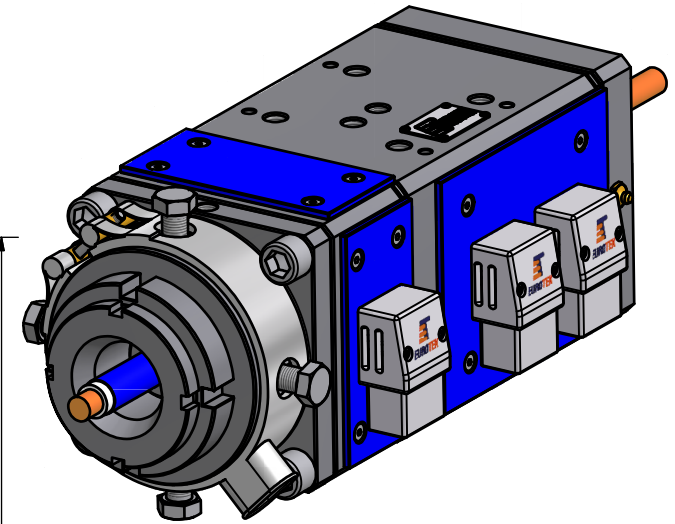
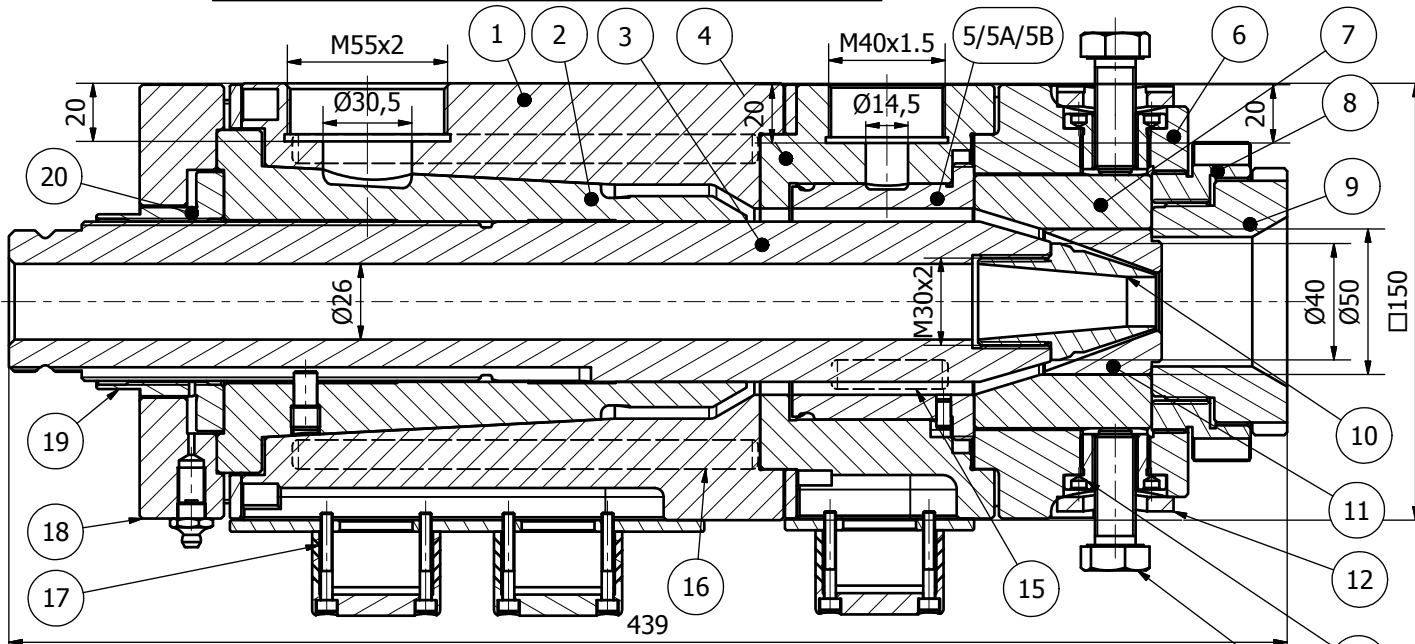





CROSSHEAD ECM25-C

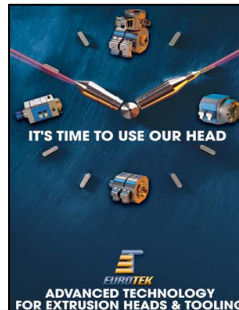
MANUAL CENTERING FOR SINGLE LAYER



| ITEM | DESCRIPTION |
|------|--------------------------------------|
| 1 | HEAD BODY |
| 2 | CARTRIDGE |
| 3 | HOLDING WIRE GUIDE |
| 4 | PLATE HOLDING RING |
| 5 | NEUTRAL RING |
| 5-A | RING FOR STRIPE |
| 5-B | RING FOR SKIN |
| 6 | FRONT PLATE |
| 7 | HOLDING DIE FOR MANUAL CENTERING |
| 8 | HOLDING NUT FOR HOLDING DIE |
| 9 | ADJUSTING DIE NUT |
| 10 | TIP |
| 11 | DIE |
| 12 | HEATER |
| 13 | BUSHES |
| 14 | CENTERING SCREW |
| 15 | H. CARTRIDGES 220V |
| 16 | H. CARTRIDGES 220V |
| 17 | POWER CONNECTION |
| 18 | THRUST BEARING PLATE |
| 19 | ADJUSTING NUT FOR HOLDING WIRE GUIDE |
| 20 | BALL BEARING |

| APPLICATIONS | |
|--|--------------|
|  | SINGLE LAYER |
|  | STRIPE |
|  | SKIN |

MAX CONDUCTOR: 25mm
 MAX OVER INSULATION: 30 mm
 MAX PASSAGGE DIE: 40mm



CROSSHEAD ECM25-C

EUROTEK S.r.l.
 66034 LANCIANO (Ch)- Italy
 Phone:(+39) 0872 72581 FAX:(+39) 0872 711978
www.eurotek-italy.it
 E-mail: info@eurotek-italy.it

