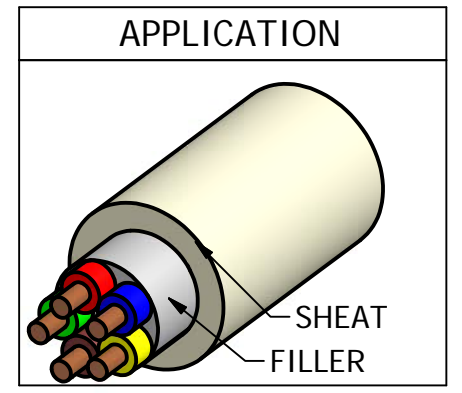
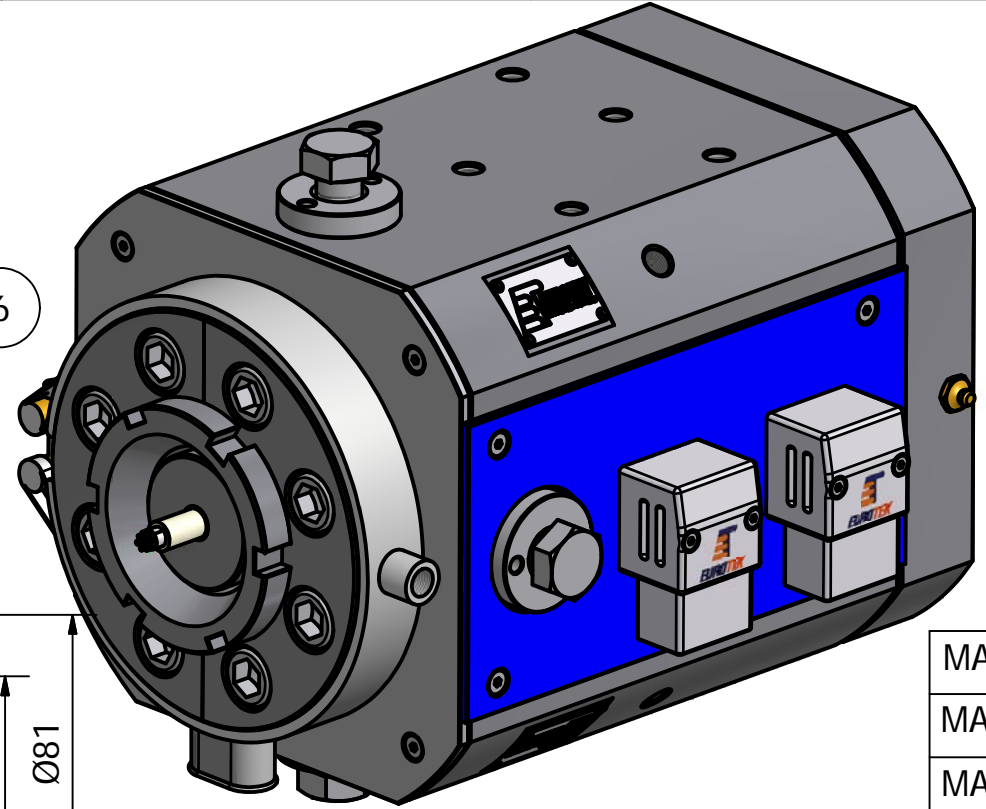
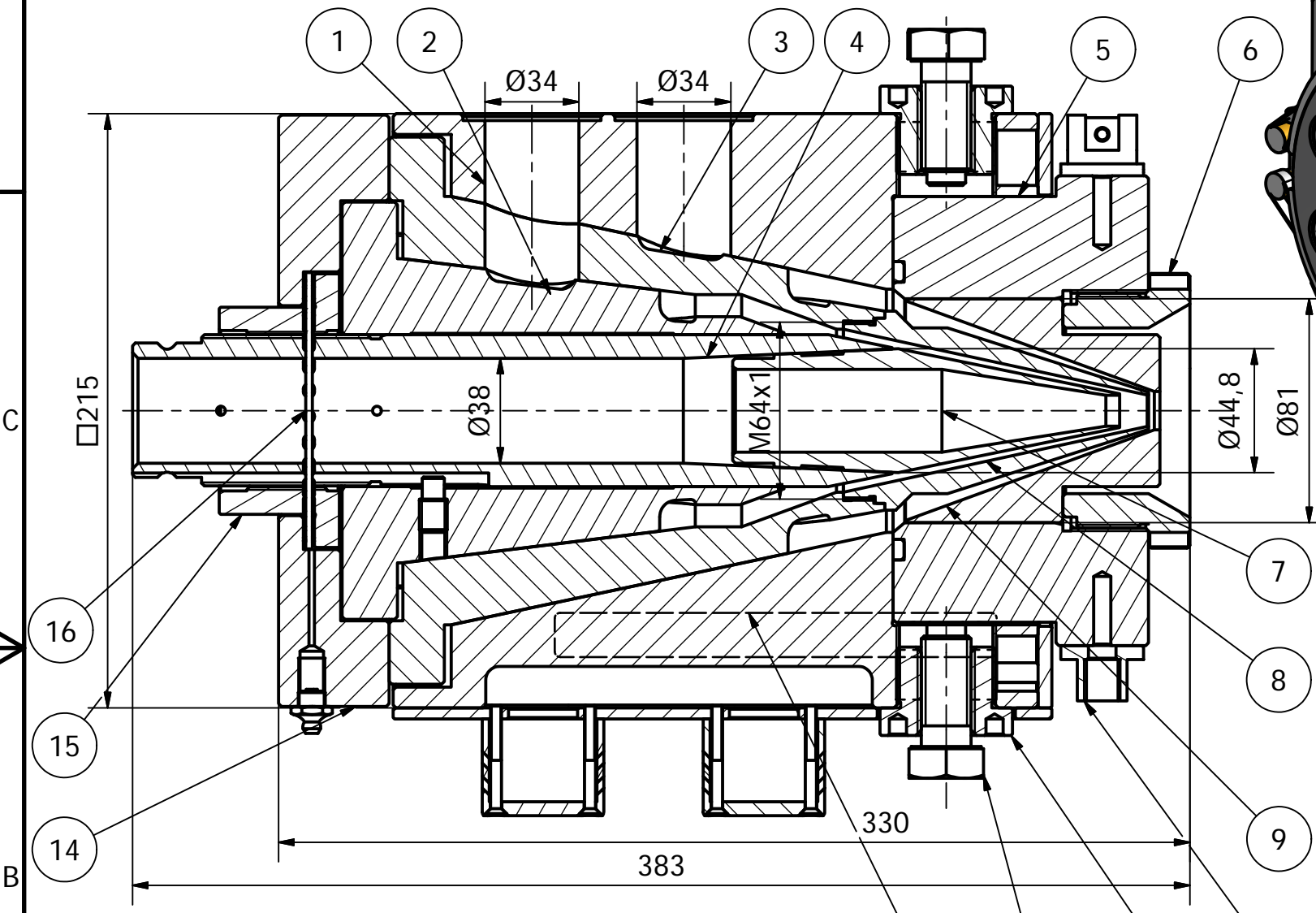
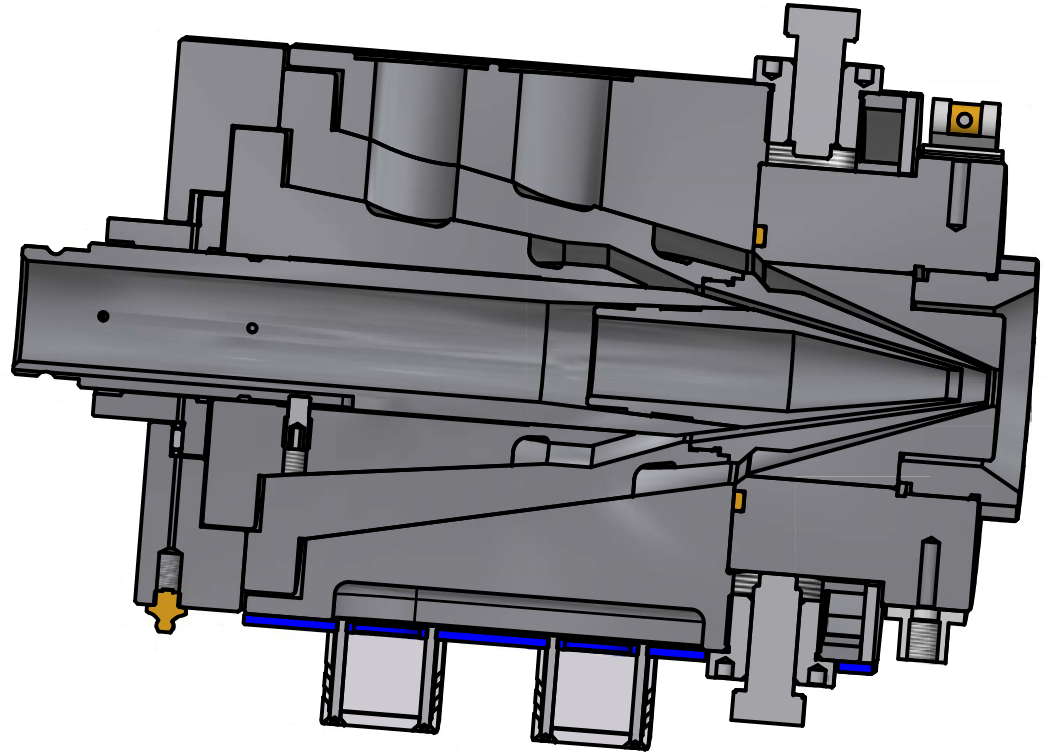


CROSSHEAD ECM30/DS

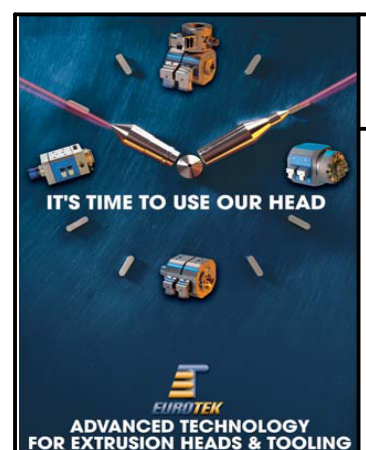
MANUAL CENTERING DOUBLE LAYER



MAX CONDUCTOR: 30mm
 MAX OVER INSULATION: 40mm
 MAX PASSAGE DIE: 45mm



ITEM	DESCRIPTION
1	HEAD BODY
2	INNER CARTRIDGE
3	OUTER CARTRIDGE
4	HOLDING WIRE-GUIDE
5	MANUAL HOLDING DIE
6	HOLDING DIE NUT
7	TIP
8	INTERMEDIATE DIE
9	BOTTOM DIE
10	HEATER 220V 300W
11	BUSHES
12	CENTERING SCREW
13	H. CARTRIDGE 6400W
14	THRUST BEARING PLATE
15	ADJUSTING NUT FOR HOLDING WIRE-GUIDE
16	BALL BEARING



CROSSHEAD ECM30/DS

EUROTEK S.r.l.
 66034 LANCIANO (Ch)- Italy
 Phone:(+39) 0872 72581 FAX:(+39) 0872 711978
www.eurotek-italy.it
 E-mail: info@eurotek-italy.it

