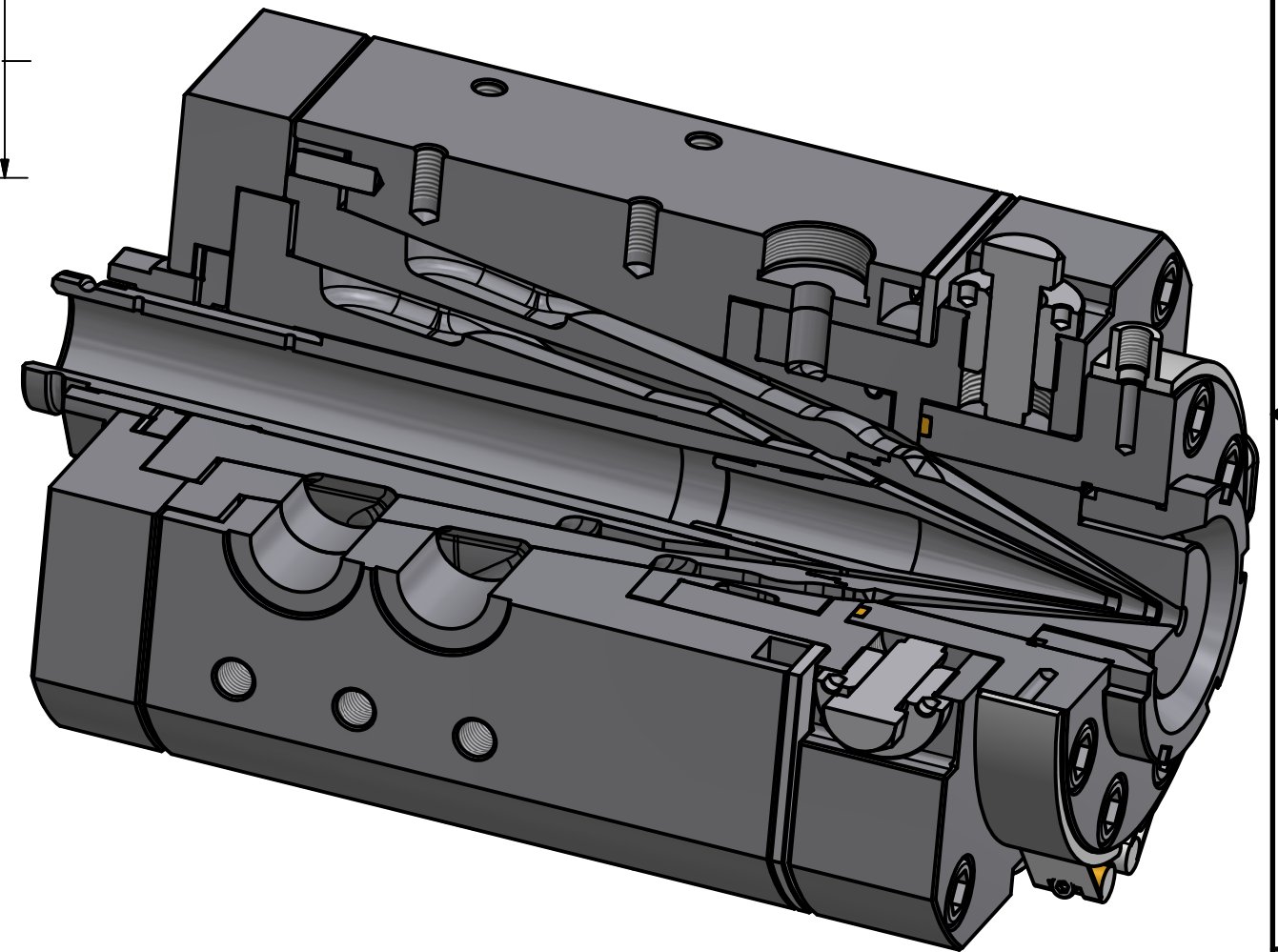
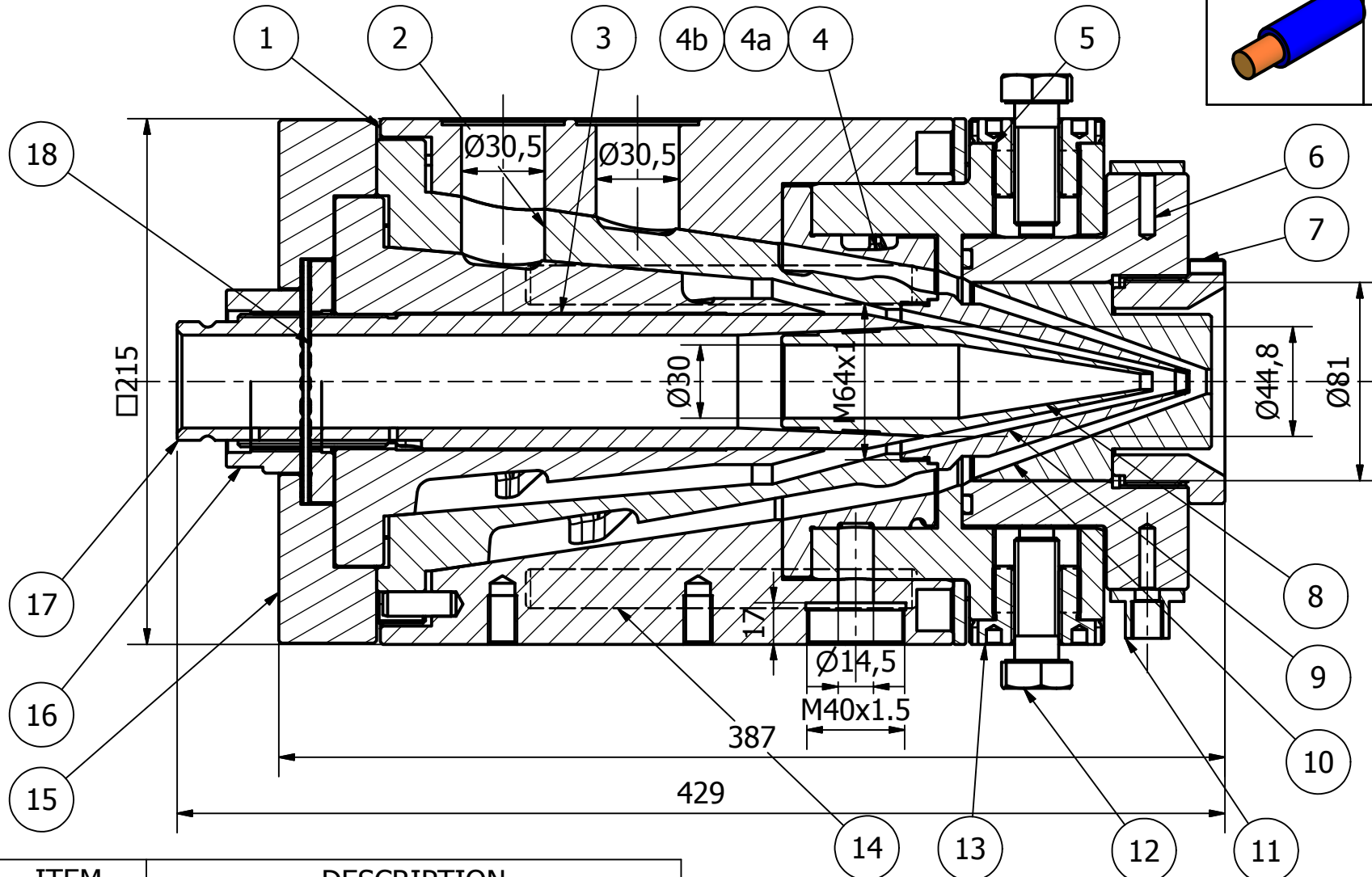


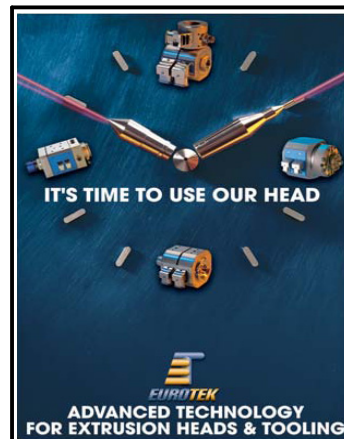
CROSSHEAD ECM30/3S

APPLICATIONS					
SINGLE LAYER	DUAL LAYER	STRIPING	SKIN	DUAL LAYER + STRIPING	DUAL LAYER + SKIN

MAX CONDUCTOR: 30mm
 MAX OVER INSULATION: 40mm
 MAX PASSAGE DIE: 45mm



ITEM	DESCRIPTION
1	HEAD BODY
2	OUTER CARTRIDGE
3	INNER CARTRIDGE
4	RING FOR SKIN 100%
4a	NEUTRAL RING
4b	RING FOR STRIPING
5	FRONT PLATE
6	MANUAL HOLDING DIE
7	ADJUSTING DIE NUT
8	TIP
9	INTERMEDIATE DIE
10	BOTTOM DIE
11	HEATER 300W
12	CENTERING SCREW
13	BUSHES
14	H. CARTRIDGES 6400W
15	THRUST BEARING PLATE
16	ADJUSTING NUT FOR H. WIRE GUIDE
17	HOLDING WIRE GUIDE
18	BALL BEARING



TESTA ECM30/3S

EUROTEK S.r.l.
 66034 LANCIANO (Ch)- Italy
 Phone:(+39) 0872 72581 FAX:(+39) 0872 711978
 www.eurotek-italy.it
 E-mail: info@eurotek-italy.it

