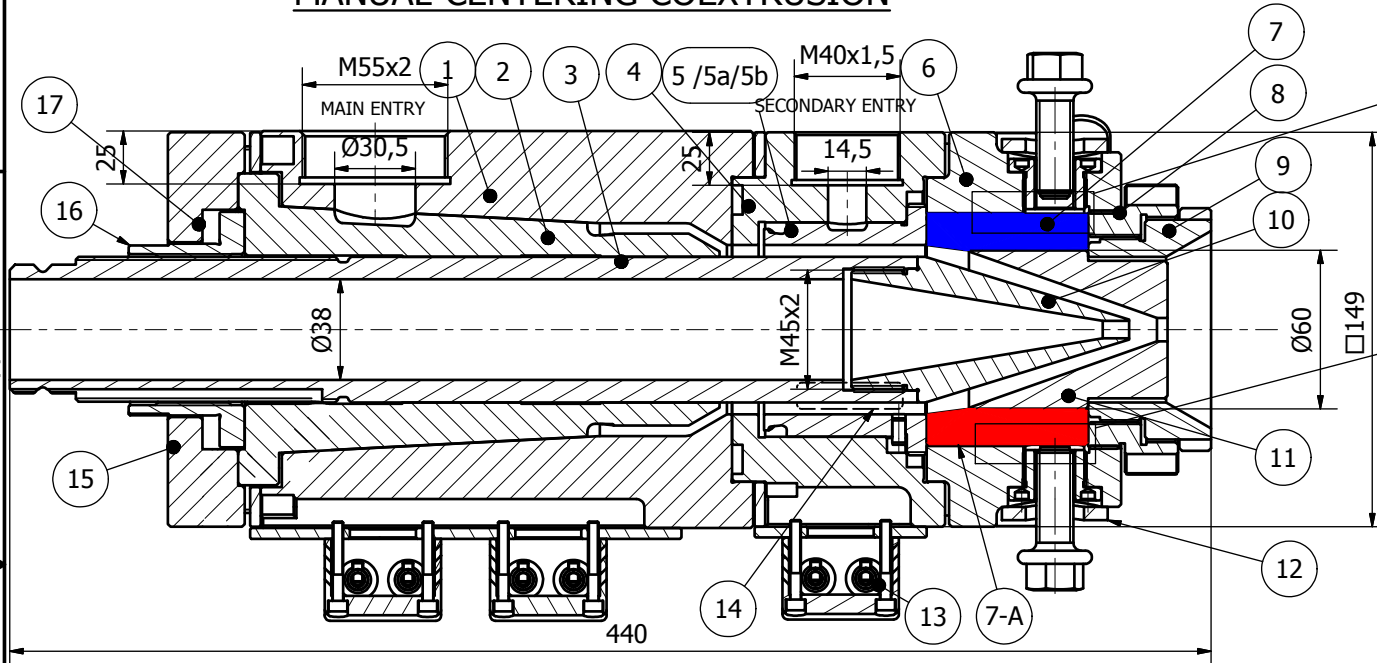
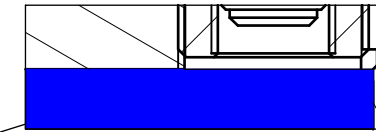


CROSSHEAD ECM35-C

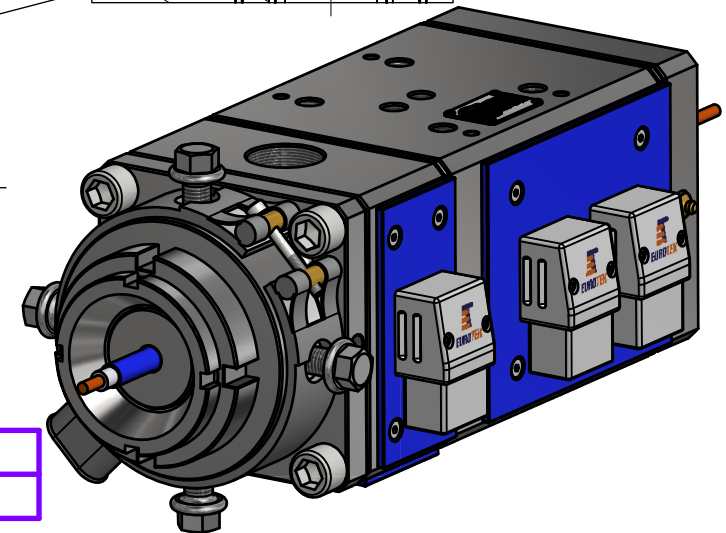
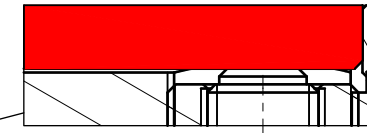
MANUAL-CENTERING COEXTRUSION



**CALIBRATED COUPLING
DIE HOLDER FOR SELF CENTERING
EXCLUDES CENTERING SCREW**

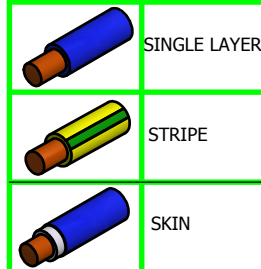


**DIE HOLDER
WITH CLEARANCE
FOR MANUAL CENTERING**



ITEM	DESCRIPTION
1	HEAD BODY
2	CARTRIDGE
3	HOLDING WIRE GUIDE
4	HOLDING RING PLATE
5	NEUTRL RING
5-a	RING FOR STRIPE
5-b	RING FOR SKIN
6	FRONT PLATE
7	HOLDING DIE FOR SELF CENTERING
7-A	HOLDING DIE FOR MANUAL CENTERING
8	HOLDING NUT FOR HOLDING DIE
9	ADJUSTING DIE NUT
10	TIP
11	DIE
12	HEATER 220V 600W
13	POWER CONNECTION
14	H. CARTRIDGE 220V (4x200W)
15	THRUST BEARING PLATE
16	ADJUSTING NUT FOR HOLDING WIRE GUIDE
17	BALL BEARING

APPLICATIONS



Ø MAX CONDUCTOR: 35mm

Ø MAX DIE: 50 mm

**ELECTRICAL POWER HEAD BODY ZONE: 2400W
ELECTRICAL POWER COEXTRUSION ZONE: 800W
ELECTRICAL POWER DIE AREA: 600W**



CROSSHEAD ECM35-C

EUROTEK S.r.l.
66034 LANCIANO (Ch)- Italy
Phone:(+39) 0872 72581 FAX:(+39) 0872 711978
www.eurotek-italy.it
E-mail: info@eurotek-italy.it

