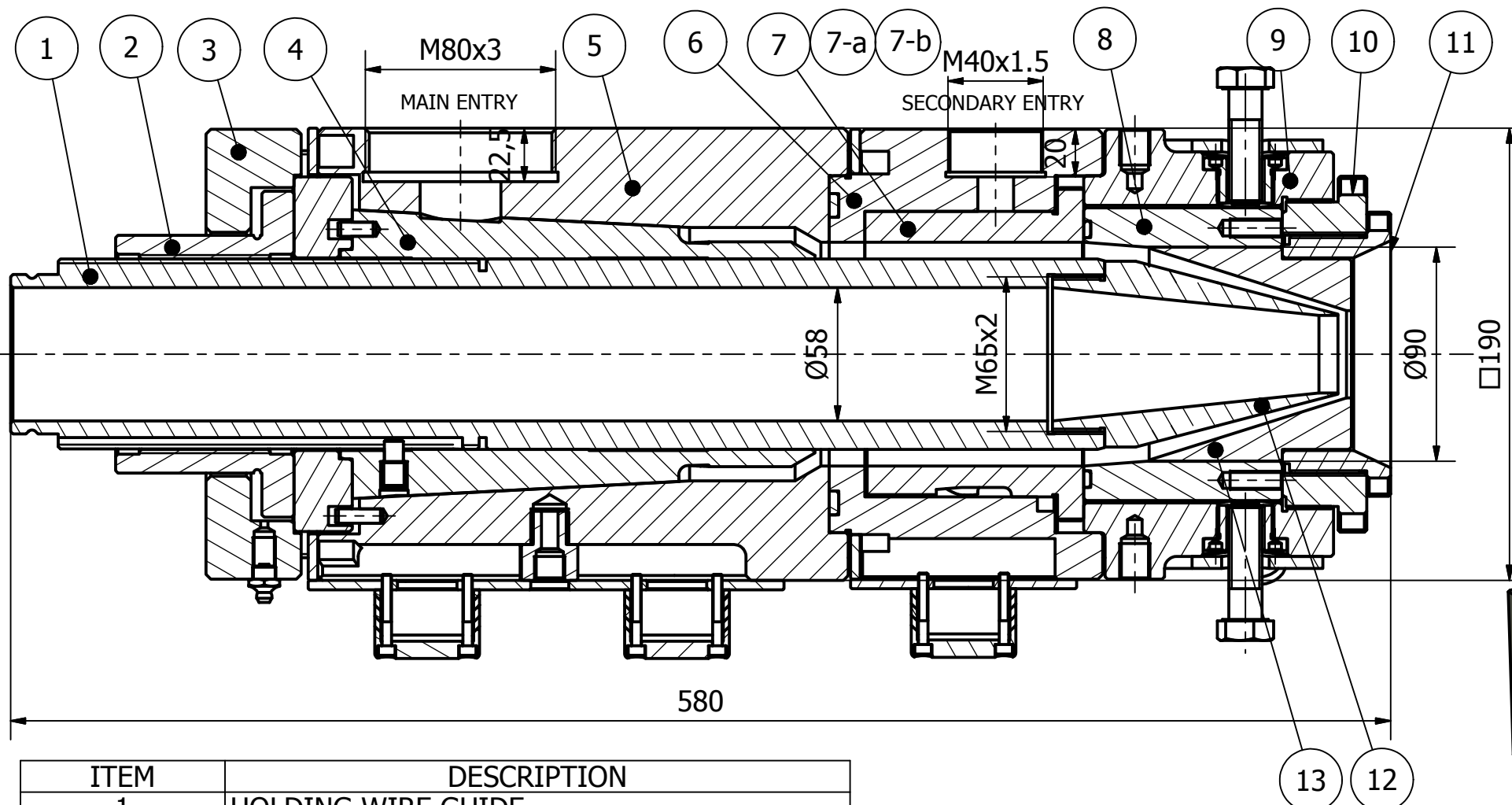


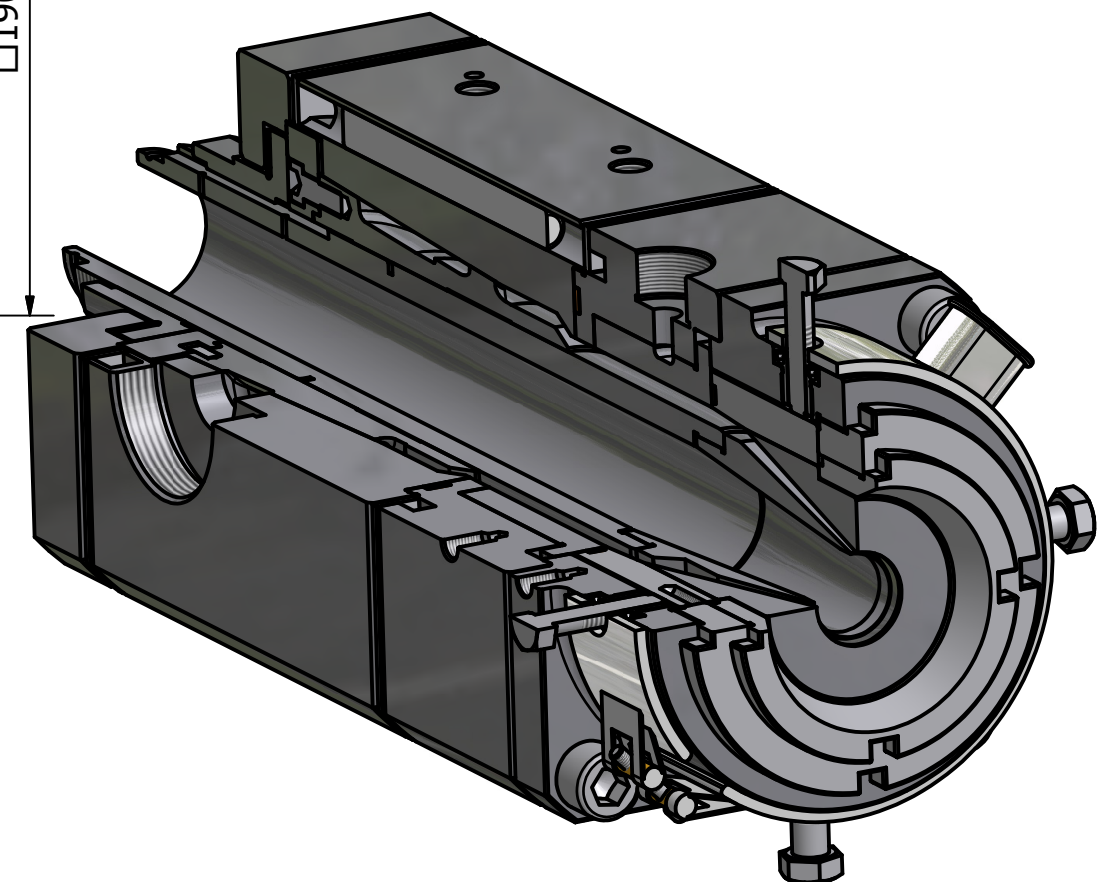
# CROSSHEAD ECM55-C

## COEXTRUSION MANUAL CENTERING



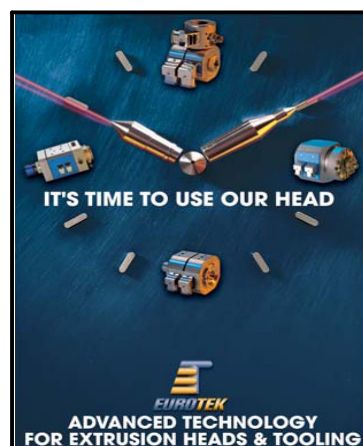
APPLICATIONS	
	SINGLE LAYER
	STRIPE
	SKIN

MAX CONDUCTOR: 55mm
MAX OVER INSULATION: 60mm
Ø MAX DIE : 65mm



ITEM	DESCRIPTION
1	HOLDING WIRE GUIDE
2	ADJUSTING NUT FOR HOLDING WIRE GUIDE
3	THRUST BEARING PLATE
4	CARTRIDGE
5	HEAD BODY WITH H. CARTRIDGES
6	HOLDING RING PLATE
7	NEUTRAL RING
7a	RING FOR STRIPE
7b	RING FOR SKIN
8	HOLDING DIE FOR MANUAL CENTERING
9	FRONT PLATE
10	HOLDING NUT
11	ADJUSTING DIE NUT
12	TIP
13	DIE

ELECTRIC POWER (CARTRIDGE ZONE): 3000W  
 ELECTRIC POWER (HOLDING RING ZONE): 1000W  
 ELECTRIC POWER (DIE ZONE): 800W



## CROSSHEAD ECM55-C

EUROTEK S.r.l. C.da Villa Andreoli,215/A  
 66034 LANCIANO (Ch)- Italy  
 Phone:(+39) 0872 72581 FAX:(+39) 0872 711978  
[www.eurotek-italy.it](http://www.eurotek-italy.it)  
 e-mail:info@eurotek-italy.it

