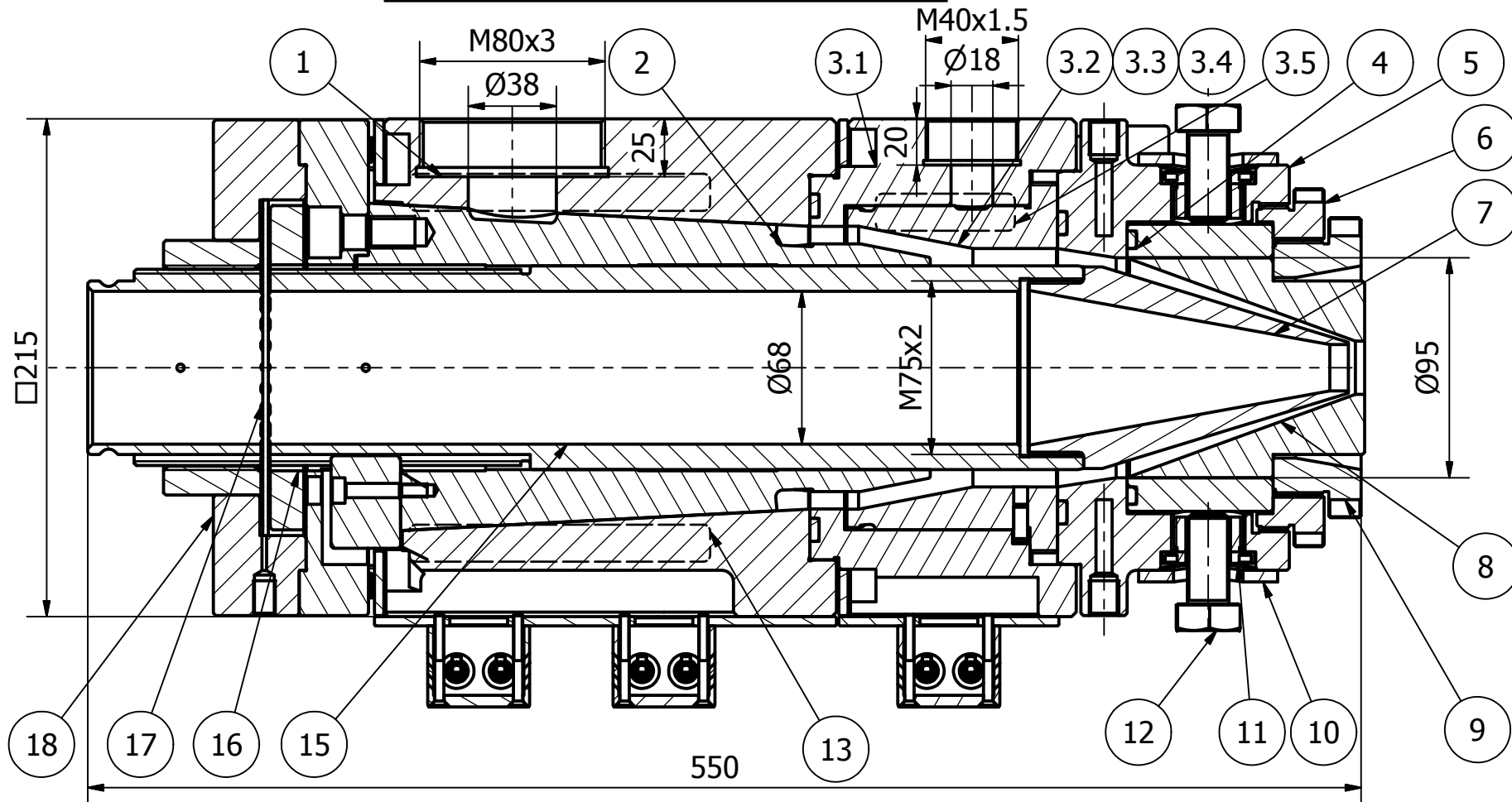

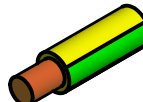



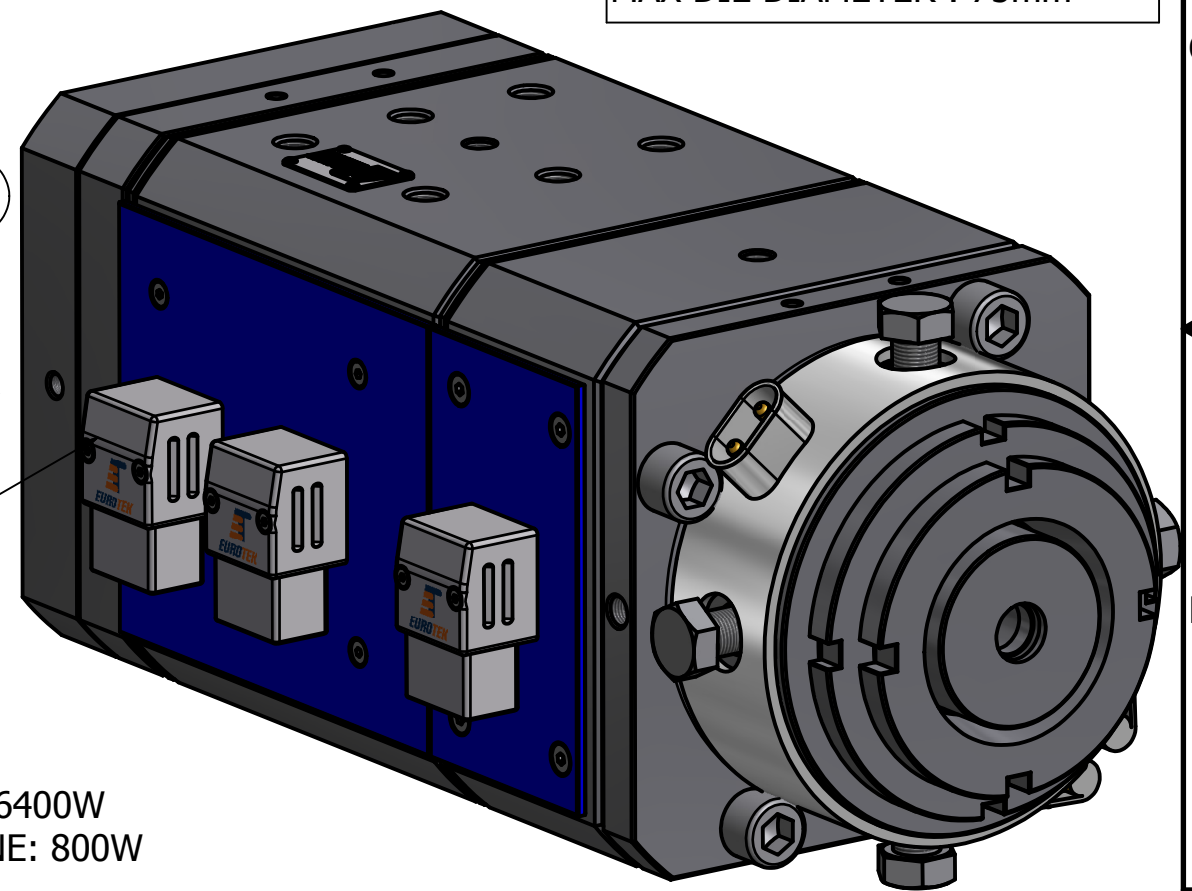
CROSSHEAD ECM65-C

MANUAL CENTERING COEXTRUSION



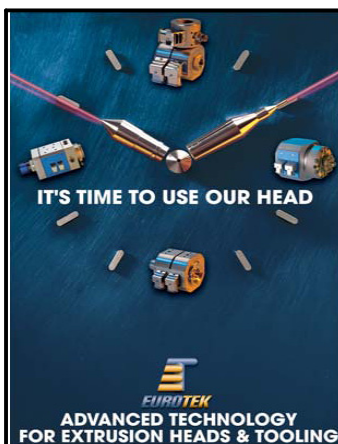
APPLICATIONS	
	SINGLE LAYER
	STRIPE
	SKIN

MAX CONDUCTOR: 65mm
 MAX OVER INSULATION: 70mm
 MAX DIE DIAMETER : 75mm



ELECTRICAL POWER HEAD BODY ZONE: 6400W
 ELECTRICAL POWER CO-EXTRUSION ZONE: 800W
 ELECTRICAL POWER DIE AREA: 600W

ITEM	DESCRIPTION
1	HEAD BODY
2	CARTRIDGE
3.1	HOLDING RING PLATE
3.2	RING FOR SKIN 100%
3.3	NEUTRAL RING
3.4	RING FOR STRIPE
3.5	H. CARTRIDGES 220V 600W
4	HOLDING DIE FOR MANUAL CENTERING
5	FRONT PLATE
6	HOLDING NUT
7	TIP
8	DIE
9	ADJUSTING DIE NUT
10	HEATER 220V 600W
11	BUSHES
12	CENTERING SCREW
13	H. CARTRIDGES 220V 800W
14	POWER CONNECTOR
15	HOLDING WIRE GUIDE
16	ADJUSTING NUT FOR HOLDING WIRE GUIDE
17	BALL BEARING
18	THRUST BEARING PLATE



CROSSHEAD ECM65-C

EUROTEK S.r.l.
 66034 LANCIANO (Ch)- Italy
 Phone:(+39) 0872 72581 FAX:(+39) 0872 711978
www.eurotek-italy.it
 E-mail: info@eurotek-italy.it

