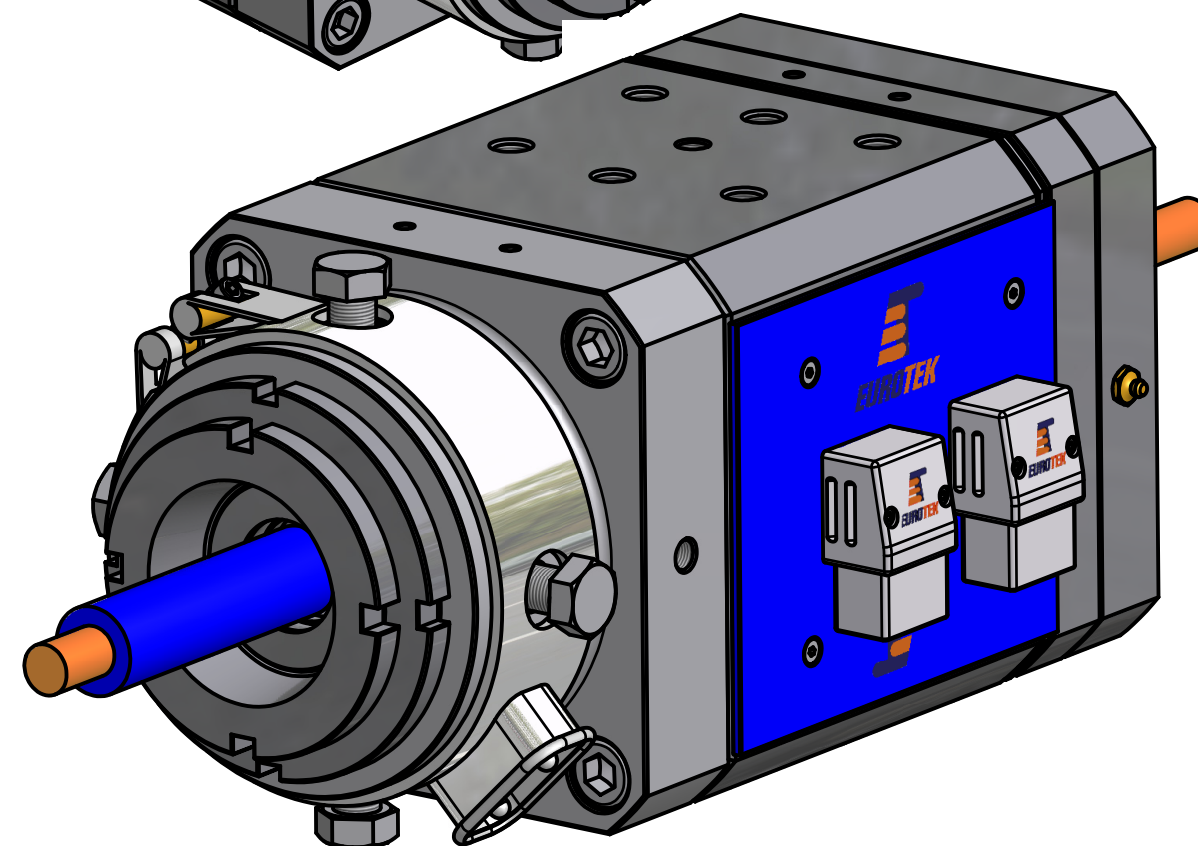
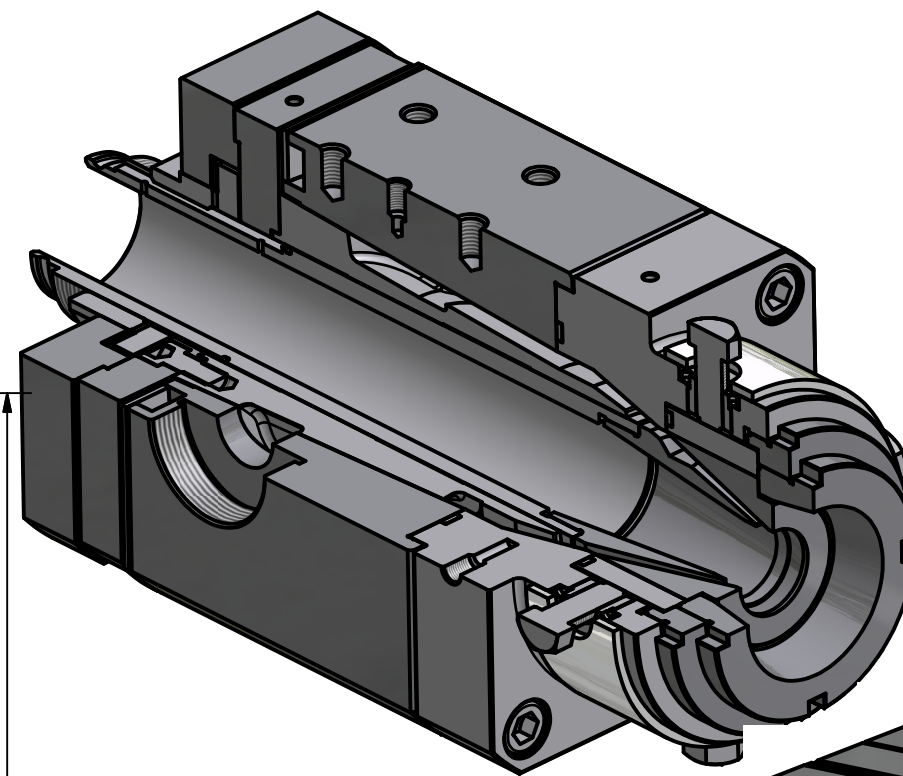
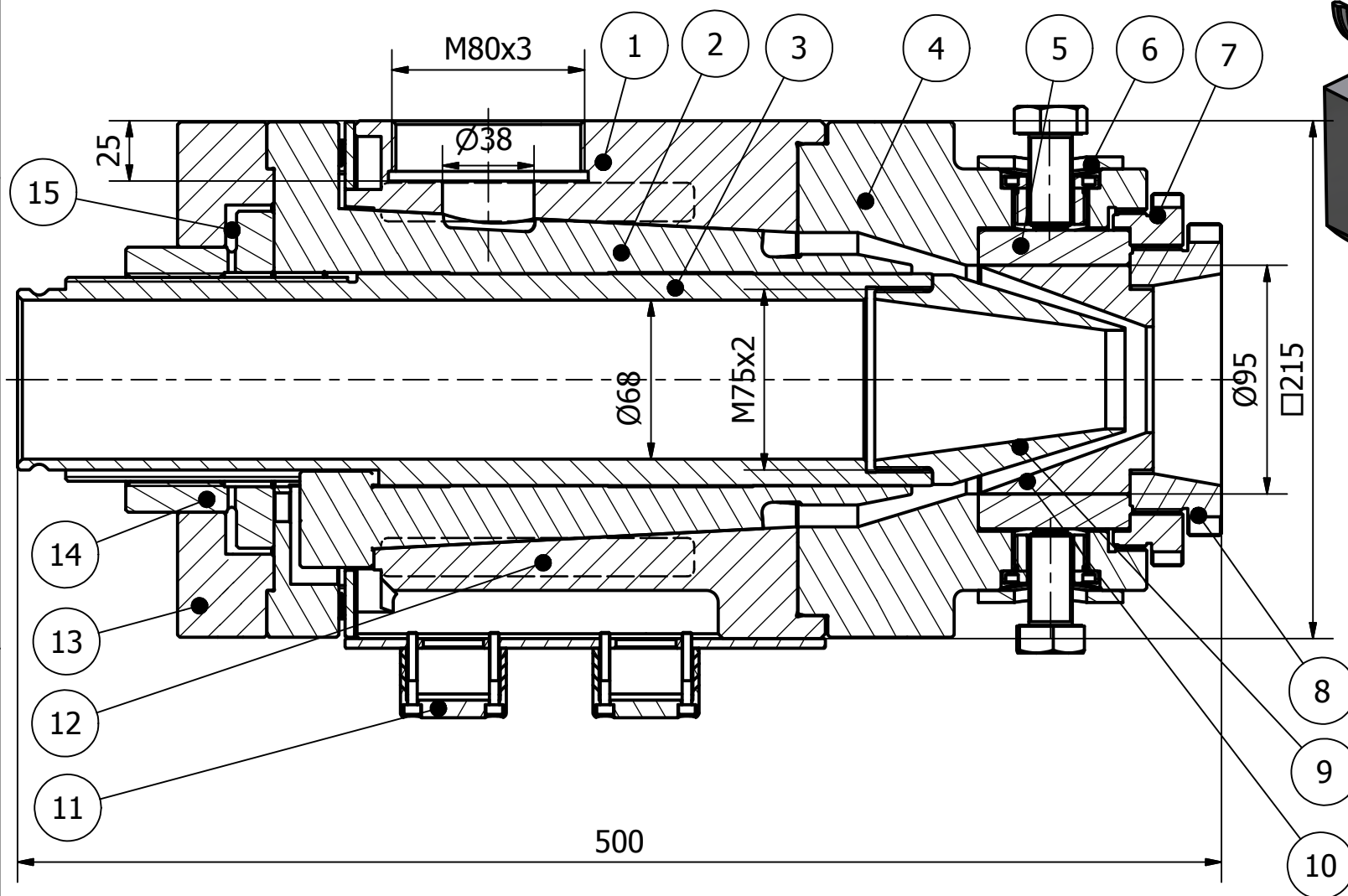
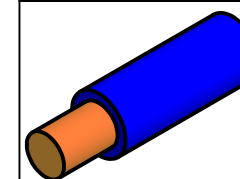


# CROSSHEAD ECM65-M

MANUAL CENTERING FOR SINGLE LAYER



## APPLICATIONS



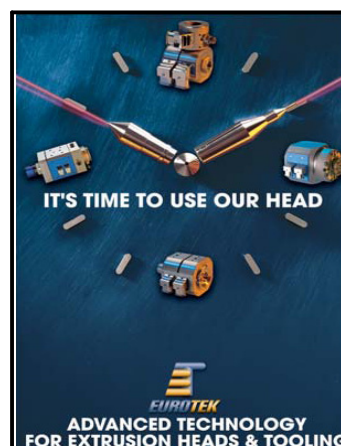
SINGLE LAYER

MAX CONDUCTOR: 65mm

MAX OVER INSULATION: 70mm

MAX DIE DIAMETER: 75mm

ITEM	DESCRIPTION
1	HEAD BODY
2	CARTRIDGE
3	HOLDING WIRE GUIDE
4	FRONT PLATE
5	HOLDING DIE FOR MANUAL CENTERING
6	HEATER 600W
7	HOLDING NUT FOR HOLDING-DIE
8	ADJUSTING DIE NUT
9	TIP
10	DIE
11	POWER CONNECTION
12	HEATER 6400W
13	THRUST BEARING PLATE
14	ADJUSTING NUT FOR HOLDING WIRE- GUIDE
15	BALL BEARING



## CROSSHEAD ECM65-M

EUROTEK S.r.l. C.da Villa Andreoli,215/A  
 66034 LANCIANO (Ch)- Italy  
 Phone:(+39) 0872 72581 FAX:(+39) 0872 711978  
[www.eurotek-italy.it](http://www.eurotek-italy.it)  
 E-mail: [info@eurotek-italy.it](mailto:info@eurotek-italy.it)

