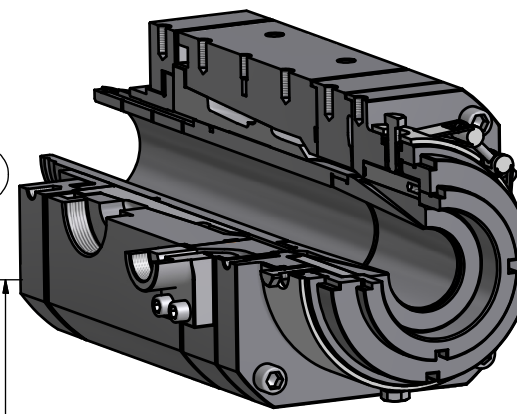
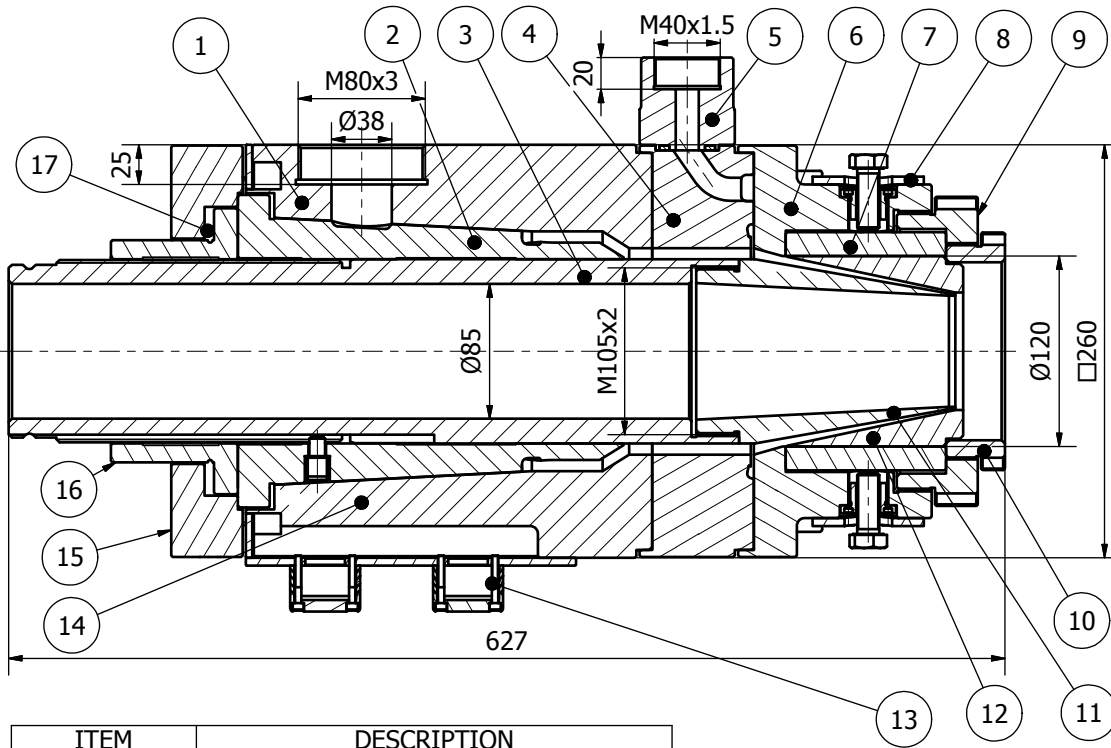


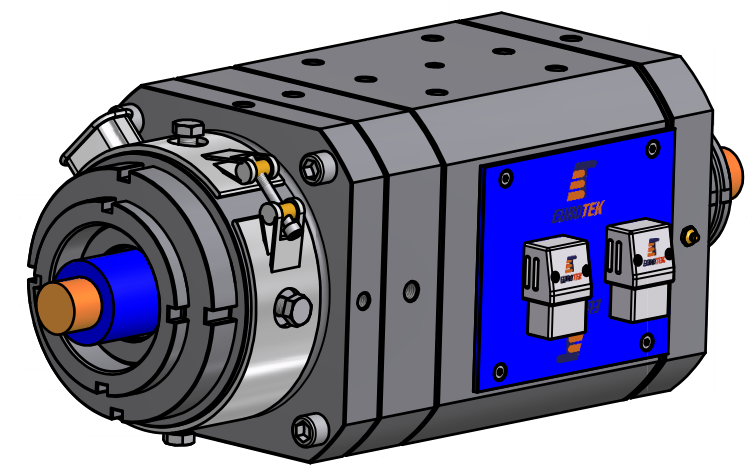


CROSSHEAD ECM80-C

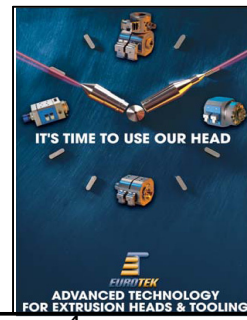
MANUAL-CENTERING COEXTRUSION



APPLICATIONS	
	SINGLE LAYER
	STRIPE
MAX CONDUCTOR: 80mm	
MAX OVER INSULATION: 85mm	
MAX DIE DIAMETER: 90mm	



ITEM	DESCRIPTION
1	HEAD BODY
2	CARTRIDGE
3	HOLDING WIRE-GUIDE
4	PLATE FOR STRIPE
5	COEXTRUSION ADAPTATOR
6	FRONT PLATE
7	HOLDING DIE FOR MANUAL CENTERING
8	HEATER 1000W
9	HOLDING DIE NUT
10	ADJUSTING DIE NUT
11	TIP
12	DIE
13	POWER CONNECTION
14	H. CARTRIDGES
15	THRUST BEARING PLATE
16	NUT FOR HOLDING WIRE GUIDE
17	BALL BEARING



CROSSHEAD ECM80-C

EUROTEK S.r.l.
 66034 LANCIANO (Ch)- Italy
 Phone:(+39) 0872 72581 FAX:(+39) 0872 711978
www.eurotek-italy.it
 E-mail: info@eurotek-italy.it

