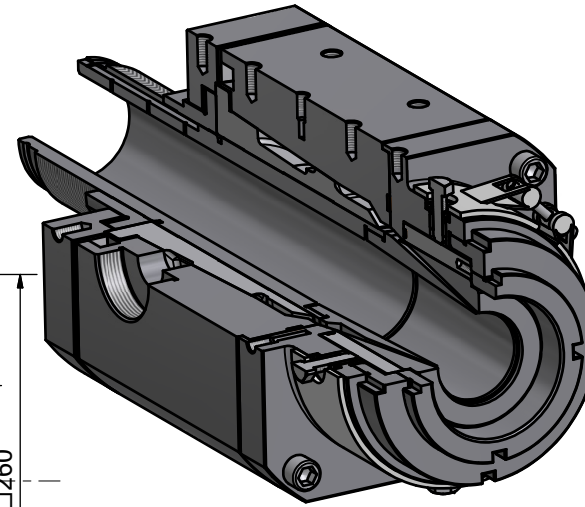
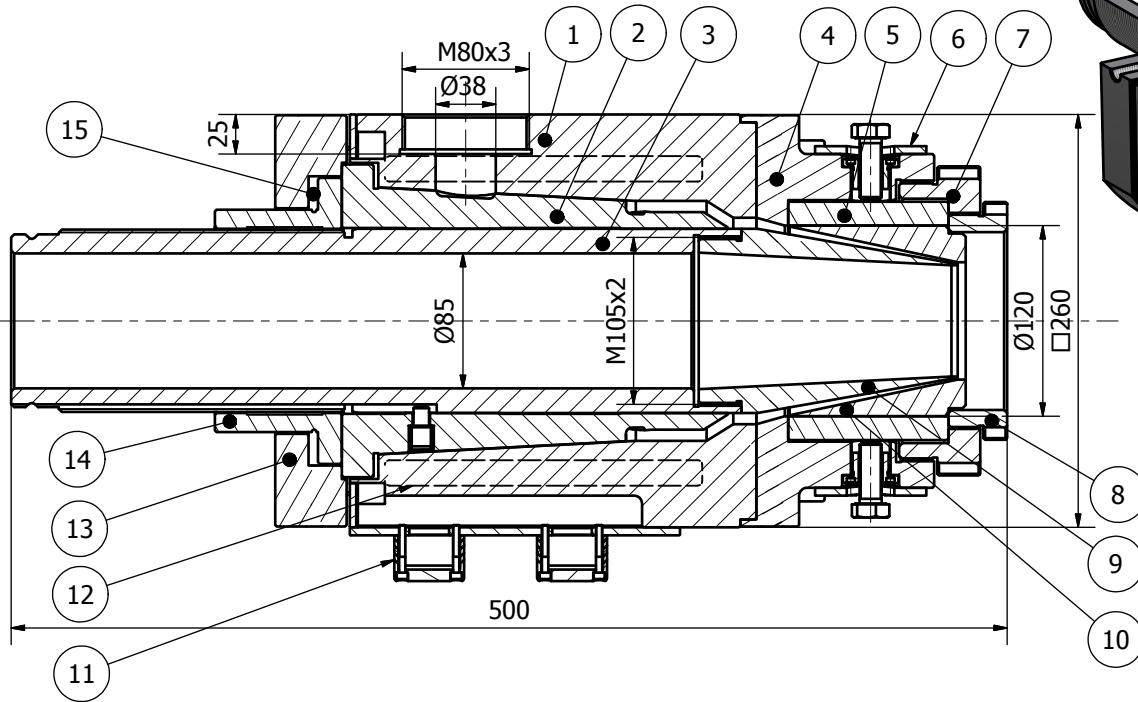


# CROSSHEAD ECM80-M

MANUAL CENTERING FOR SINGLE LAYER



## APPLICATIONS

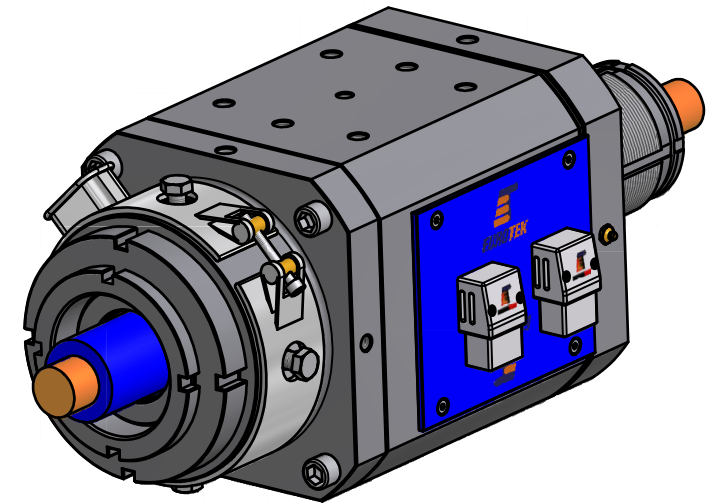


SINGLE LAYER

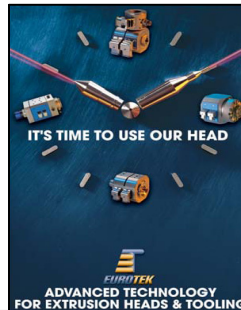
MAX CONDUCTOR: 80 mm

MAX OVER INSULATION: 85 mm

MAX DIE DIAMETER: 90 mm



ITEM	DESCRIPTION
1	HEAD BODY
2	CARTRIDGE
3	HOLDING WIRE GUIDE
4	FRONT PLATE
5	HOLDING DIE FOR MANUAL CENTERING
6	HEATER 1000W
7	HOLDING DIE NUT
8	ADJUSTING DIE NUT
9	TIP
10	DIE
11	POWER CONNECTION
12	H. CARTRIDGES
13	THRUST BEARING PLATE
14	NUT FOR HOLDING WIRE GUIDE
15	BALL BEARING



## CROSSHEAD ECM80-M

EUROTEK S.r.l.  
 66034 LANCIANO (Ch)- Italy  
 Phone:(+39) 0872 72581 FAX:(+39) 0872 711978  
[www.eurotek-italy.it](http://www.eurotek-italy.it)  
 E-mail: [info@eurotek-italy.it](mailto:info@eurotek-italy.it)

